

# COOLZONE®



**CZ210**  
**Freezer**



## USER INSTRUCTIONS

Please read these instructions carefully before using this product and keep them safe for future reference.

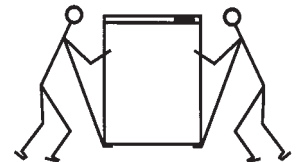
# Page contents

Before use . . . . .	.2
Do and Don't . . . . .	.2
Parts identification . . . . .	.3
Installation and controls . . . . .	.3, 4
Using the freezer . . . . .	.5
Maintenance and cleaning . . . . .	.6
Troubleshooting . . . . .	.6
Fuse and mains plug replacement . . . . .	.7
Specification . . . . .	.back cover
After sales service . . . . .	.back cover
Safety measures and disposal . . . . .	.back cover

## Before Use

### Packaging

The packaging is recyclable so dispose of it according to local regulations. Keep the packaging materials out of reach of young children. Before installation, take care to remove all cardboard or other packaging, including material from the condenser tubes and any material surrounding the motor/compressor unit.



### Warning

The freezer is heavy and care is needed when unpacking and moving it. Get extra help and only hold it by the casing – not the door or trim.

### Check the contents

Check the following contents are included with the product and inspect the casing for any damage. If necessary contact your retailer from whom you purchased the product.

- |                              |                       |
|------------------------------|-----------------------|
| Instruction booklet          | Ice cube tray         |
| 2 x fast freeze compartments | 2 x condenser spacers |
| 4 x freezer drawers          | 1 x ice scraper       |

After unpacking, wipe the casing with a dry cloth and clean the inside with a damp cloth ready for food storage.

## Do and Don't

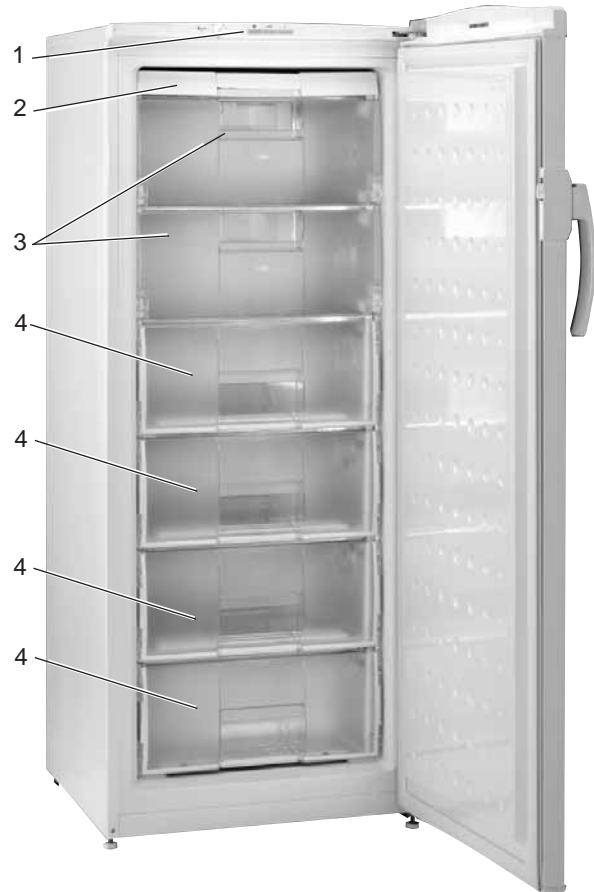
- ❖ Do read these instructions thoroughly before using this appliance.
- ❖ Do install the appliance only in a vertical position.
- ❖ Do stand appliance for 12 hours to allow the cooling gases to stabilise if transported in a horizontal position.
- ❖ Do allow for adequate ventilation around the appliance.
- ❖ Do unplug before cleaning and maintenance.
- ❖ Do defrost regularly for maximum efficiency.
- ❖ Don't install the appliance in humid or extreme conditions.
- ❖ Don't attempt to repair the appliance yourself (see after sales service information – back cover).
- ❖ Don't use any electrical devices such as fans or heaters to defrost.
- ❖ Don't install near heaters or other heat sources.
- ❖ Don't store goods containing inflammable or other explosive gases.
- ❖ Don't leave door closed if appliance is left switched off for long periods.

# Parts identification

The parts are listed and numbered below to help identification.

1. Thermostat and control panel
2. Ice cube tray and ice bank
3. Fast freeze compartments
4. Storage drawers

FIGURE 1



## Installation and controls

### Important

Make sure that the voltage marked on the rating label on the product corresponds with the voltage in your home.

This quality product has been tested and certified to meet all applicable UK electrical and safety standards.

The appliance is designed to work in room temperatures between +16°C and +32°C. Do not allow the room temperature to exceed +32°C otherwise the temperature inside the freezer will rise.

Fit the spacers onto the condenser tubes (Figure 2)  
The freezer requires space around the casing for efficient cooling and operation. The minimum clearances are shown in Figure 3.

The freezer must be installed on a firm flat and level surface for it to work quietly and efficiently.

### Indicator lights

The indicator lights are on the front of the freezer above the door. When they illuminate they indicate:

- |              |                           |
|--------------|---------------------------|
| Yellow light | Fast freeze on            |
| Green light  | Power on                  |
| Red light    | Temperature warning light |

FIGURE 2

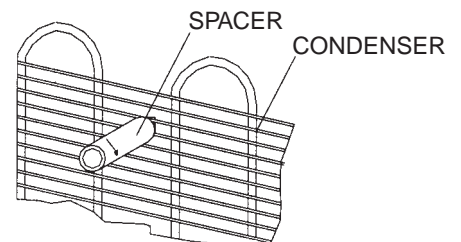
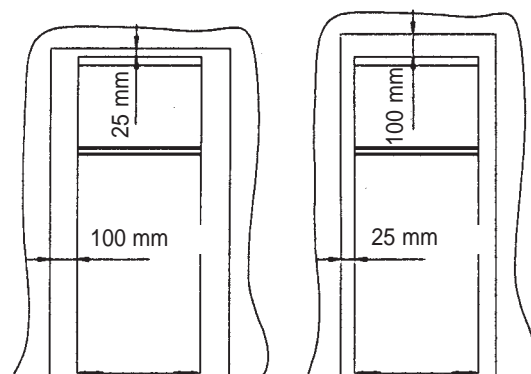


FIGURE 3



Diagrams show alternative methods of providing correct air flow around the appliance.

## Installation and controls (cont)

### Switching on

Plug the appliance into a nearby power socket and switch on. The freezer control panel (Figure 4) is positioned inside the door. It controls all the freezer functions.

Use a coin to turn the temperature control to a half-way position on the dial and leave the appliance running with the door closed for approximately two hours. This will allow the inside temperature to stabilise. The temperature warning light will stay illuminated for some while after first switching on. This is normal; the light will go out when the freezer reaches its operating temperature.

### Temperature control

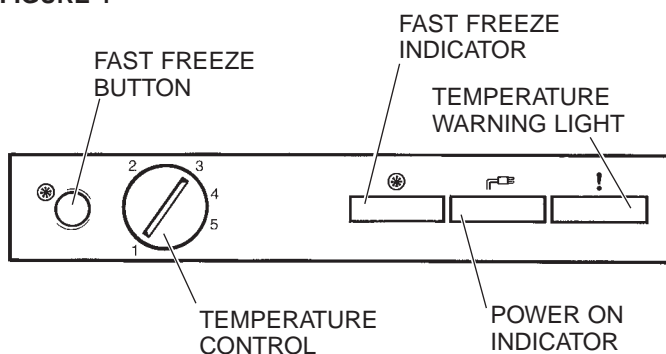
The temperature scale runs from 1, the warmest setting, to 5, the coldest. Use of a freezer thermometer (not supplied) is recommended to monitor conditions in the freezer.

### Fast freeze function

Use the fast freeze function when freezing bulk quantities of fresh food. Place the food in the upper compartments marked **\* \*\* \***. Switch on the fast freeze function using the fast freeze button (Figure 4).

When the button is pressed in (ON), the temperature control is bypassed and the compressor runs continuously which cools the

FIGURE 4



cabinet well below the level set on the temperature control. There is therefore no need to adjust the temperature setting when using fast freeze.

When you press the fast freeze button, there may be a short delay before the compressor starts to operate. This is normal and does not indicate a compressor fault.

When fast freeze is switched ON, the yellow light will be illuminated.

To cancel fast freeze, press the button and release it. The yellow light will go out.

When fast freeze is no longer required switch it off to minimise power consumption. The temperature controller will then take over and regulate the cabinet temperature as normal.

### Temperature warning

If the temperature warning light comes on it indicates that the temperature in the freezer cabinet is warmer than the normal operating temperature. It is usually a temporary condition; there could have been a mains power failure for example. Do not open the freezer door when the red light is on. Depending on ambient conditions and time of year, food will remain fully frozen for up to 20 hours in this case. If the light remains on for longer than this period contact the helpline number below.

### Notes on operation

During normal operation the following noises may be heard:

- ❖ Stifled murmur from compressor when it is working.
- ❖ Soft gurgling from the refrigerant flowing through the cooling system.
- ❖ Click from the thermostat switching on and off.

# Using the freezer



## Precautions

The freezer is capable of producing very cold temperatures which may cause injury if safety precautions are not observed:

**Caution: to avoid ice burns, do not touch ice with bare skin.**

- ❖ Do not attempt to freeze carbonated drinks such as fizzy pop, mineral water, champagne, etc. as the bottles may break when frozen. Drinks in PEP plastic bottles must not be frozen.
- ❖ The freezer must only be used for the storing of edible foodstuffs.
- ❖ Frozen food that has thawed should not be re-frozen.

## Frozen food storage

Food which has been purchased frozen should be kept in its original packaging. Maximum storage times and expiry dates are usually given on the food packaging.

### IMPORTANT

Do not re-freeze food that has thawed or partially thawed.

When cooking food you must ensure it has thoroughly thawed, especially important regarding poultry and seafood.

Do not overload the food baskets and always allow space between the packages of food. This ensures that cold air is free to circulate, preventing the food packages from sticking together.

When freezing fresh food do not freeze too much food at one time. Do not exceed 4kg in 24 hours.

When removing ice cubes from the tray, it may help to hold the tray under running water for a few seconds in order to loosen the ice.

When freezing hot food allow it to cool before placing it in the freezer. Always store it away from food which is already frozen.

## In case of power failure

If there is a power failure do not open the freezer door. Frozen food should not be affected if the failure lasts less than 20 hours. If the failure continues for longer than 20 hours, check the contents of the freezer. Do not re-freeze food that has thawed or partially thawed.

### When not in use

If the appliance is to be emptied and turned off for a long period it is advisable to:

- ❖ Disconnect the unit from the mains supply.
- ❖ Empty the fridge or freezer of food and allow any ice that has formed to melt.
- ❖ Clean and dry the interior.
- ❖ Leave the door open.

# Maintenance and cleaning

## Important

**The freezer must be turned off at the mains before maintenance or cleaning.**

## General cleaning

It is recommended to clean and wipe out the freezer regularly or after any spillage inside or outside the appliance.

Use a teaspoonful of bicarbonate of soda diluted in a pint of warm water. Wipe the internal surfaces and leave to dry before reloading food.

Wipe the outside casing from time to time in order to remove dirt and dust from ventilation vents etc.

Keep water away from the thermostat housing.

Clean the door seals.

Remove accumulated dirt from around the compressor motor taking care not to damage the pipes and the wiring.

# Troubleshooting

Problem	Possible cause	Remedy
There is water at the bottom of the freezer	Drainage hole and/or pipe blocked	Clean/unblock hole and pipe
The motor is on for long periods without switching off	Door opened too often The airflow around the unit is inadequate Fast freeze function left ON	Do not open door needlessly Allow more free space around the unit Switch fast freeze off when not required
Motor not working	No power to unit	Check fuses, plug, and power supply
Freezer is not cold enough	Thermostat set too low	Turn to higher setting
Temperature warning light is ON	Appliance has just been switched on Earlier mains power failure	Wait for temperature to stabilise (about two hours) <b>DO NOT OPEN FREEZER DOOR</b> Wait two to three hours while temperature stabilises. If the fault persists, contact the helpline number below

# Fuse and mains plug replacement

This product is supplied with a moulded plug which contains a 13A fuse. If you are simply replacing the fuse, you must use a 13A fuse which has been approved by ASTA to BS1362 (Figure 5).

If the plug does not fit the socket or becomes damaged, a new plug must be fitted. Replace the original plug with the correct plug for your socket. If this is a 3-pin (square pin) 13A (BS1363) plug, you must make sure that it is fitted with an ASTA approved 13A fuse.

If another type of plug is used, it must be protected by a 15A fuse, either in the plug or at the distribution board.

1. Cut off the existing fitted plug.
2. The wires in the mains lead supplied with this appliance are coloured in accordance with the following code (Figure 6):

GREEN/YELLOW = EARTH (E)  
BLUE = NEUTRAL (N)      BROWN = LIVE (L)

This product must be earthed

As the colours of the wires in the mains lead may not correspond with the colour markings identifying the terminals in your new plug, proceed as follows.

The wire which is coloured GREEN or YELLOW/GREEN must be connected to the terminal which is marked with the letter E or  $\oplus$  symbol or coloured GREEN or YELLOW/GREEN.

The wire which is coloured BLUE must be connected to the terminal in the plug which is marked with the letter N or coloured BLACK.

FIGURE 5

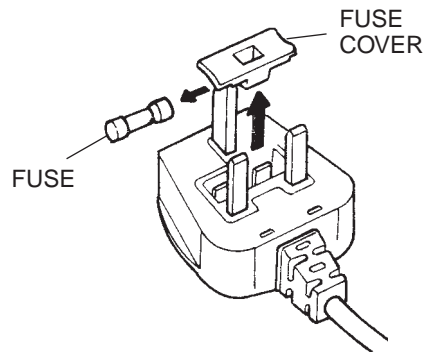
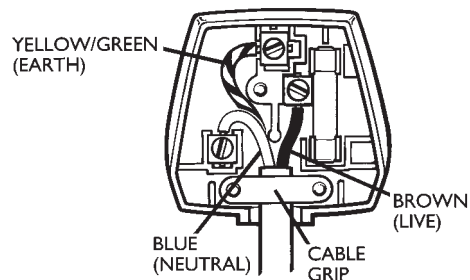


FIGURE 6



The wire which is coloured BROWN must be connected to the terminal which is marked with the letter L or coloured RED.

3. Ensure that the connections are tight and that no loose strands are left out of the terminals.

**IF IN ANY DOUBT CONSULT A QUALIFIED ELECTRICIAN.**

**If the mains lead becomes damaged consult a qualified electrician.**

# Specification

Total gross volume (litres)	210
Dimensions: HxWxD mm	1360x540x600
Total net volume (litres)	162
Power supply	220/240V, 50Hz
Power consumption (Watts)	110
Nominal daily consumption (kWh)	0.92
Freezing capacity (kg/24h)	14
Energy efficiency class	B
Refrigerant	R600a

Product specification may vary without prior notice.

## After sales service

This appliance is guaranteed for a period of two years from date of purchase against defects in materials and workmanship only, and provided that all these user instructions have been strictly complied with. The guarantee does not cover incidental or consequential loss, such as loss of food.

Where this guarantee applies, the appliance will be repaired or replaced at the manufacturer's option without charge. If the guarantee does not apply or has expired, you will be given a quotation for cost of repairs and any parts required.

Keep your purchase receipt with these instructions, and in the event of breakdown contact the HELPLINE on 0844 871 0011.

## Safety measures and disposal

Never try to repair the appliance or the electrical parts yourself. Any repair carried out by an unskilled person is dangerous and may affect the guarantee. Contact the Helpline for assistance and advice.

### Disposal of old fridge

Disposal of the appliance must conform with EU environmental regulations.

Make the appliance not usable by cutting off the mains lead and removing any door locks.

The appliance must be delivered to an authorised collection centre.



**This appliance/fitting is marked according to the European directive 2002/96/EC on Waste Electrical and Electronic Equipment (WEEE). By ensuring this product is disposed of correctly, you will help prevent potential negative consequences for the environment and human health, which could otherwise be caused by inappropriate waste handling of this product.**

The symbol on the product, or on the documents accompanying the product, the Crossed Out Wheelie Bin symbol, indicates that this appliance/fitting may not be treated as household waste. Instead it shall be handed over to the applicable collection point for the recycling of electrical and electronic equipment. Disposal must be carried out in accordance with local environmental regulations for waste disposal. For more detailed information about treatment, recovery and recycling of this product, please contact your local authority, your household waste disposal service or the retailer where you purchased the product.