

COOLZONE®



CZ240B
Fridge freezer



USER INSTRUCTIONS

Please read these instructions carefully before using this product and keep them safe for future reference.

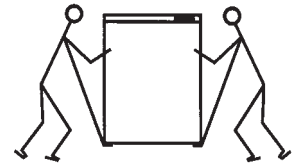
Page contents

Before use	2
Do and Don't	2
Parts identification	3
Door reversal	3, 4
Installation and controls	4, 5
Using the freezer	6
Maintenance and cleaning	6,7
Troubleshooting	8
Fuse and mains plug replacement	8
Specification	9
Safety measures	9
After sales service	9

Before Use

Packaging

The packaging is recyclable so dispose of it according to local regulations. Keep the packaging materials out of reach of young children. Before installation, take care to remove all cardboard or other packaging, including material from the condenser tubes and any material surrounding the motor/compressor unit.



Warning

The fridge/freezer is heavy and care is needed when unpacking and moving it. Get extra help and only hold it by the casing – not the door or trim.

Check the contents

Check the following contents are included with the product and inspect the casing for any damage. If necessary contact your retailer from whom you purchased the product.

Instruction booklet

1 x wire shelf (freezer)

3 x wire shelves (fridge)

Glass shelf over salad crisper with white plastic strip

Plastic bottle balcony shelf

2 x plastic balcony shelves

1 x plastic salad crisper

Condenser spacers

Ice cube tray

Egg tray

Door reversal kit

Drain channel cleaning tip

After unpacking, wipe the casing with a dry cloth and clean the inside with a damp cloth ready for food storage.

Do and Don't

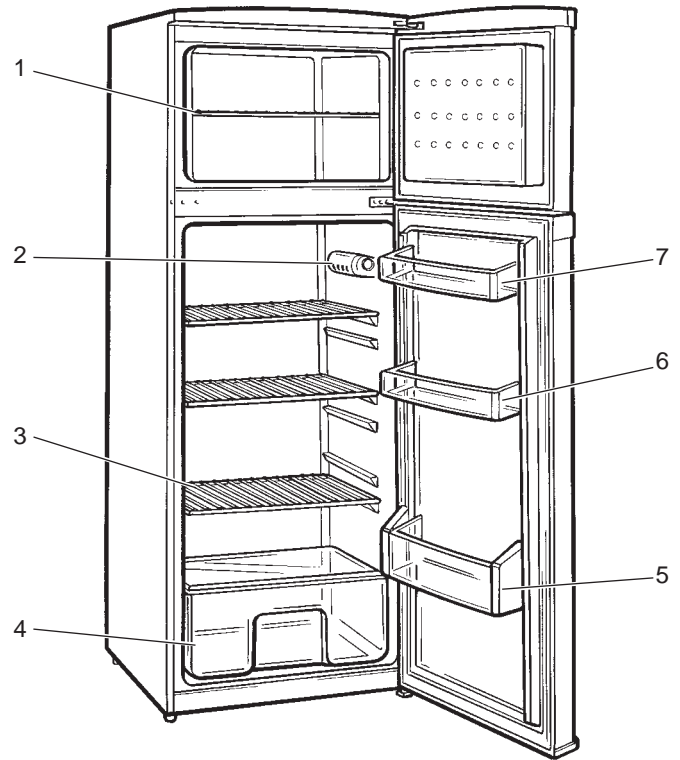
- ◆ Do read these instructions thoroughly before using this appliance.
- ◆ Do install the appliance only in the vertical position.
- ◆ Do let your refrigerator stand for 12 hours prior to connection, to allow the cooling gases to stabilise, if transported in a horizontal position.
- ◆ Do install to allow for adequate ventilation around the appliance.
- ◆ Do not install near heaters or other heat sources.
- ◆ Do unplug before cleaning and maintenance.
- ◆ Do defrost freezer for maximum efficiency.
- ◆ Don't install the appliance in humid or extreme conditions.
- ◆ Don't attempt to repair the appliance yourself (see Helpline information – page 9).
- ◆ This appliance is intended for domestic use only. Only use it in accordance with the manufacturer's instructions.
- ◆ Don't use any other electrical device inside the appliance to defrost.
- ◆ Don't store goods containing inflammable or other explosive gases.
- ◆ Don't leave door closed if appliance is left switched off for long periods.

Parts identification

The parts are listed and numbered below to help identification.

1. Freezer shelf
2. Thermostat and lamp housing
3. Wire shelf
4. Salad/vegetable crisper
5. Bottle rack
6. Balcony shelf
7. Balcony shelf

FIGURE 1



Door reversal

Reversing the door may make installation more convenient. The appliance must be tilted and supported in order to carry this out; it is therefore advisable to get an assistant to help during this procedure. Take care when fitting and tightening screws.

Tilt and support the appliance, then unscrew the hinge plate from the base of the appliance housing (Figure 2). Also remove the adjustable foot from the opposite corner of the housing. Lift away the freezer compartment door. Undo two screws and remove the stop plate from the corner of the door.

Turn the stop plate around and screw it to the opposite corner of the door.

Support the fridge compartment door and unscrew the centre hinge plate (Figure 3). Lift away the door. Remove three blanking plugs from the opposite side of the housing and fit them to the holes that were uncovered when the hinge was removed. Unscrew the stop plate from the corner of the door, turn it around and screw it to the opposite corner of the door.

FIGURE 2

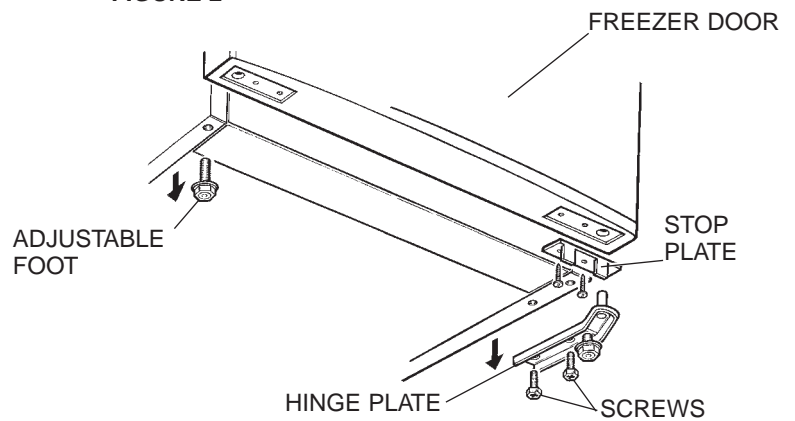
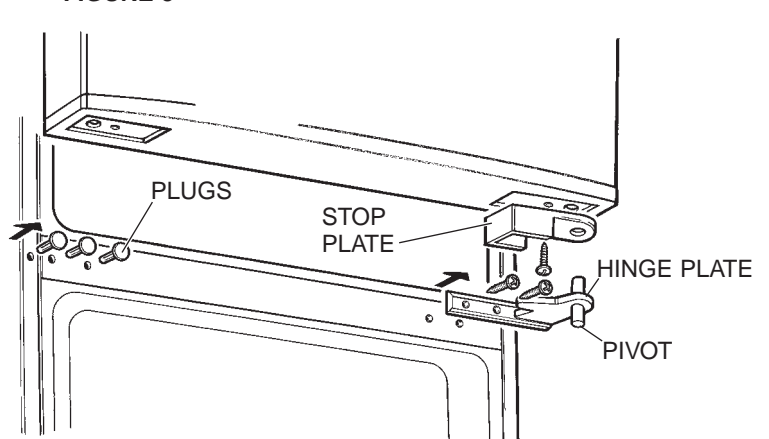


FIGURE 3



Door reversal (cont)

Gently lever the trim plates out of their recesses in the appliance housing (Figure 4).

Unscrew the hinge pivot pin (Figure 5). Unscrew the hinge from the housing (Figure 6), turn it round and using two screws removed earlier, refix it to the opposite corner of the appliance. Screw the hinge pivot pin into the hinge so that it points downwards, ready to take the door. Refit the trim plates to their recesses.

Gently lever the trim plate out of the hinge housing in the corner of the door. Take the opposite trim plate from the accessory bag and snap it into place in the hinge housing (Figure 7).

Locate the door on the upper hinge pivot and support the door. Screw the centre hinge plate into position. The door should swing freely on its hinges.

Fit the freezer compartment door to its pivot on the centre hinge plate. Support the door and take the hinge plate removed earlier from the base of the appliance. Fasten this plate to the opposite corner of the base using the two screws.

Screw the adjustable foot into the threaded hole in the opposite corner of the appliance housing.

Return the appliance to the vertical position and check that doors open and shut freely. If necessary, level the unit using the adjustable feet.

FIGURE 4

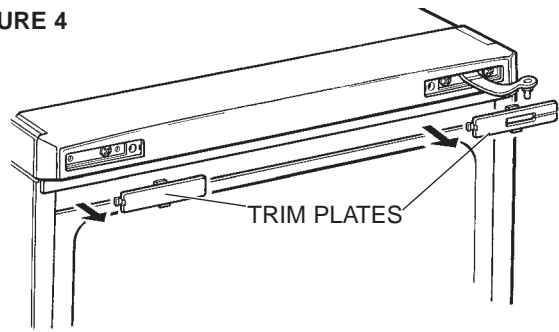


FIGURE 5

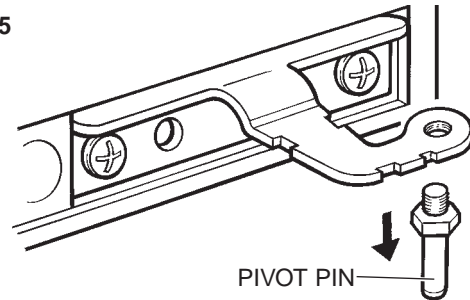


FIGURE 6

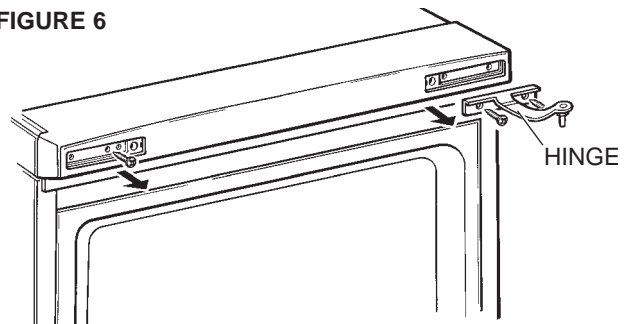
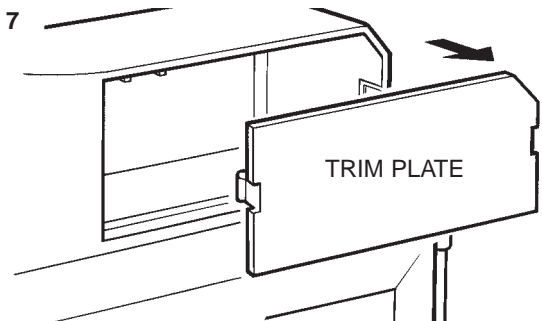


FIGURE 7



Installation and controls

Important

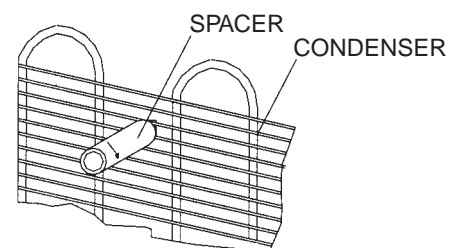
Make sure that the voltage marked on the rating label on the product corresponds with the voltage in your home.

This quality product has been tested and certified to meet all applicable UK electrical and safety standards.

The appliance is designed to work in room temperatures between +16°C and +32°C. Do not allow the room temperature to exceed +32°C otherwise the temperature inside the fridge/freezer will rise.

Fit the spacers onto the condenser tubes (Figure 8) and put the cleaning tip in the drainage hole at the back of the fridge compartment.

FIGURE 8

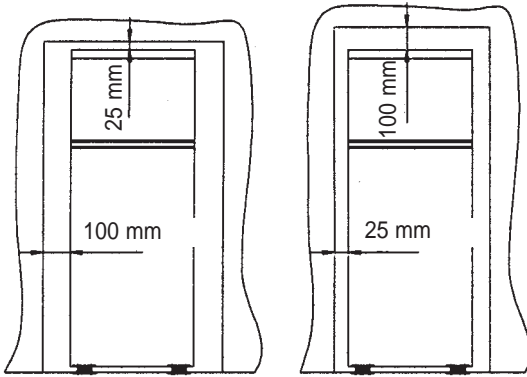


Installation and controls (cont)

The freezer requires space around the casing for efficient cooling and operation. The minimum clearances are shown in Figure 9.

The freezer must be installed on a firm flat and level surface for it to work quietly and efficiently.

FIGURE 9



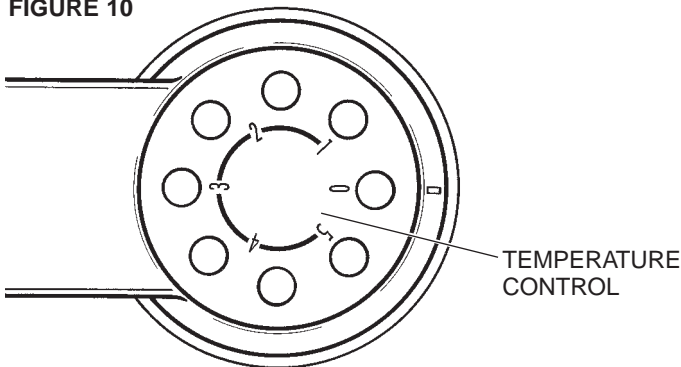
Diagrams show alternative methods of providing correct air flow around the appliance.

If you wish to reverse the door refer to the section above (pages 3 & 4).

Switching on

Plug the fridge/freezer into a nearby power socket and switch on. The thermostat control (Figure 10) is positioned inside the fridge by the light.

FIGURE 10



Turn the control to a half-way position on the dial and leave the fridge/freezer running with the door closed for approximately 2 hours. This will allow the inside temperature to stabilise.

Temperature control – fridge

The temperature of the fridge is best maintained around 0°C to + 5°C. Avoid setting the thermostat too high otherwise this may reduce the temperature to a point at which certain fresh foods may begin to freeze. The temperature scale runs from 1, the warmest setting, to 5, the coldest. The 0 position is an OFF setting which can be used when defrosting the freezer. The fridge has an automatic defrost cycle. Droplets of condensation or ice particles on the back wall of the fridge are normal.

When storing food in the fridge keep food away from the rear wall. To allow free circulation of cold air don't pack food too tightly on the shelves and never put hot food in the fridge.

Temperature control – freezer

The thermostat position setting in the fridge regulates the freezer temperature. The freezer should be between -18°C and -28°C.

Leave the fridge/freezer to run for 12 hours before freezing fresh food.

Notes on operation

During normal operation the following noises may be heard:

- ❖ Stifled murmur from compressor when it is working.
- ❖ Soft gurgling from the refrigerant flowing through the cooling system.
- ❖ Click from the thermostat switching on and off.

Using the freezer



Precautions

The freezer is capable of producing very cold temperatures which may cause injury if safety precautions are not observed:

Caution: Do not touch ice with bare skin to avoid 'ice burns'.

- ◆ Do not attempt to freeze carbonated drinks such as 'fizzy pop', mineral water, champagne etc. as

the bottles may break when frozen. Drinks in PEP plastic bottles must not be frozen.

- ◆ The freezer must only be used for the storing of edible foodstuffs.
- ◆ Frozen food that has thawed should not be re-frozen.

Frozen food storage

Food which has been purchased frozen should be kept in its original packaging. Maximum storage times and expiry dates are usually given on the food packaging.

IMPORTANT

Do not re-freeze food that has thawed or partially thawed.

When cooking food you must ensure it has thoroughly thawed, especially important regarding poultry and seafood.

Do not overload the food baskets and always allow space between the packages of food. This ensures

that cold air is free to circulate preventing the food packages from sticking together.

When freezing fresh food do not freeze too much food at one time. Do not exceed 4kg in 24 hours.

When removing ice cubes from the tray, it may help to hold the tray under running water for a few seconds in order to loosen the ice.

When freezing hot food allow it to cool before placing it in the freezer. Always store it away from food which is already frozen.

When not in use

If the appliance is to be emptied and turned off for a long period it is advisable to:

- ◆ Disconnect the unit from the mains supply.
- ◆ Empty the fridge or freezer of food and allow any ice that has formed to melt.
- ◆ Clean and dry the interior.
- ◆ Leave the door open.

Maintenance and cleaning

Important

The fridge/freezer must be turned off at the mains before maintenance or cleaning.

General cleaning

It is recommended to clean and wipe out the fridge and freezer regularly or after any spillage inside or outside the appliance.

Use a teaspoonful of bicarbonate of soda diluted in a pint of warm water. Wipe the internal surfaces and shelving to remove food residues. Leave to dry before reloading food.

The fridge automatically defrosts by freezing and defrosting. Beware of the back wall as this may be cold to the touch. Avoid wiping this until it has thoroughly defrosted.

Wipe the outside casing from time to time in order to remove dirt and dust from ventilation vents etc.

Keep water away from the thermostat housing.

Clean the door seals.

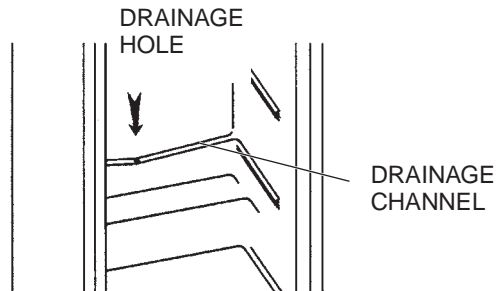
Remove accumulated dirt from around the compressor motor taking care not to damage the pipes and the wiring.

Maintenance and cleaning (cont)

Drainage channel and drip tray

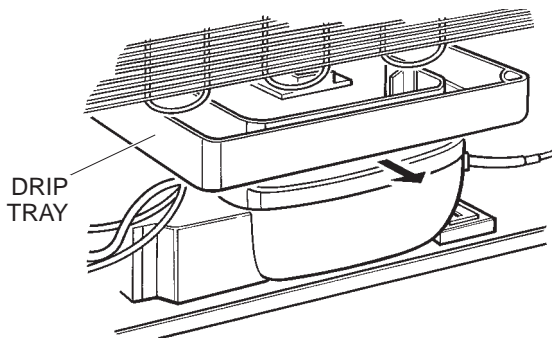
Water collects in the drainage channel on the back wall. It then passes to a drip tray positioned above the compressor from which it evaporates. The drain and drip tray should be cleaned regularly to avoid the build up of impurities. Wipe the channel with a damp cloth and use the cleaning tip to clean out any residue from the drainage hole.

FIGURE 11



Finally, unclip the drip tray from above the compressor motor (rear of the casing, see Figure 11), wash it out and clip it back into position.

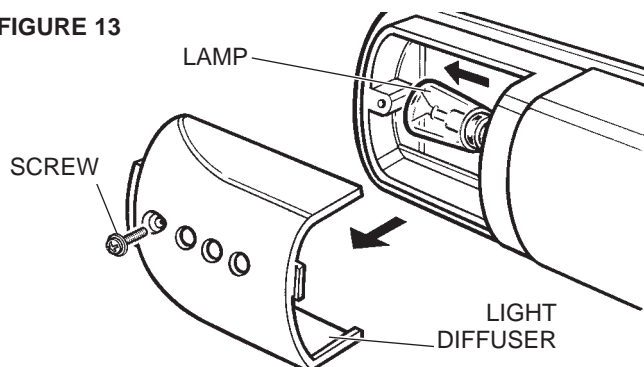
FIGURE 12



Lamp replacement

Remove the lamp cover by removing one Philips headed screw at the far end of the lamp housing, furthest from the door (Figure 13). Slide the diffuser out of its groove. Unscrew the lamp and replace it with one of the same type, (15 Watts SES E14). Replace the cover and secure it with its screw.

FIGURE 13



Freezer - defrosting

It is recommended to clean and wipe out the freezer after any spillage inside or outside the appliance.

Caution: Do not touch ice with bare skin to avoid 'ice burns'.

It is wise to defrost the freezer if the ice build up exceeds 6mm, otherwise the efficiency of the freezer will reduce and the electricity consumption will increase.

Defrost the freezer when the stock of frozen contents is low.

Unplug the freezer and empty the frozen food into insulated bags or boxes.

Leave the door open and place bowls or any other suitable container under each shelf to catch the water from the melting ice.

Bowls of hot water may be placed in the freezer to speed up defrosting.

Plastic scrapers can be used as an aid to defrosting.

Important

- ❖ Do not use appliances such as heaters or hair dryers to melt the ice.
- ❖ Do not use metal objects such as knives or skewers to chip away the ice as these can damage the freezer walls and cooling pipes.

When all traces of ice have been removed from the interior of the freezer, use a teaspoonful of bicarbonate of soda diluted in a pint of warm water to wipe the internal surfaces and shelving to remove food residues and odours.

Clean the door seals.

Leave to dry before reloading food.

Replace the plug in the mains socket and switch on.

Only replace food which is still fully frozen. If any of the food has started to thaw throw it away.

Troubleshooting

Problem	Possible cause	Remedy
The lamp does not light	The lamp has blown	Replace the lamp with same type: 15W, SES, E14
There is water at the bottom of the fridge	Drainage hole and/or pipe blocked	Clean/unblock hole and pipe
The motor is on for long periods without switching off	Door opened too often The airflow around the unit is inadequate	Do not open door needlessly Allow more free space around the unit
Motor not working	No power to unit	Check fuses, plug, and power supply
Fridge/freezer is not cold enough	Thermostat set too low	Turn to higher setting

Fuse and mains plug replacement

This product is supplied with a moulded plug which contains a 13A fuse. If you are simply replacing the fuse, you must use a 13A fuse which has been approved by ASTA to BS1362 (Figure 14).

If the plug does not fit the socket or becomes damaged, a new plug must be fitted. Replace the original plug with the correct plug for your socket. If this is a 3-pin (square pin) 13A (BS1363) plug, you must make sure that it is fitted with an ASTA approved 13A fuse.

If another type of plug is used, it must be protected by a 15A fuse, either in the plug or at the distribution board.

1. Cut off the existing fitted plug.
2. The wires in the mains lead supplied with this appliance are coloured in accordance with the following code (Figure 15):

GREEN/YELLOW = EARTH (E)
 BLUE = NEUTRAL (N) BROWN = LIVE (L)

This product must be earthed

As the colours of the wires in the mains lead may not correspond with the colour markings identifying the terminals in your new plug, proceed as follows.

The wire which is coloured GREEN or YELLOW/GREEN must be connected to the terminal which is marked with the letter E or \oplus symbol or coloured GREEN or YELLOW/GREEN.

The wire which is coloured BLUE must be connected to the terminal in the plug which is

FIGURE 14

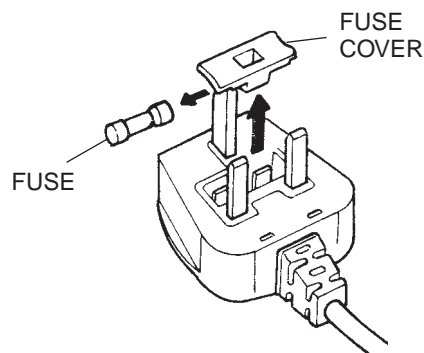
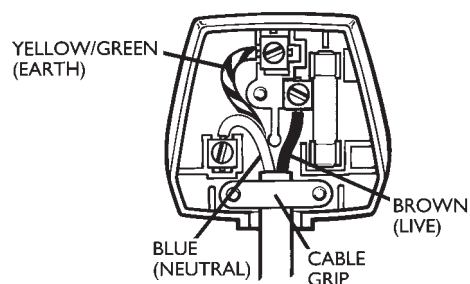


FIGURE 15



marked with the letter N or coloured BLACK.

The wire which is coloured BROWN must be connected to the terminal which is marked with the letter L or coloured RED.

3. Ensure that the connections are tight and that no loose strands are left out of the terminals.

IF IN ANY DOUBT CONSULT A QUALIFIED ELECTRICIAN.

If the mains lead becomes damaged consult a qualified electrician.

Specification

Total gross volume (litres)	250
Dimensions: HxWxD mm	1450x540x600
Freezer net volume (litres)	51
Refrigerator net volume (litres)	179
Freezing capacity (kg/24h)	4
Power supply	230V, 50Hz
Nominal daily consumption (kWh)	1.08
Energy efficiency class	B
Refrigerant	R134a

Product specification may vary without prior notice.

After sales service

This appliance is guaranteed for a period of two years from date of purchase against defects in materials and workmanship only, and provided that all these user instructions have been strictly complied with. The guarantee does not cover incidental or consequential loss, such as loss of food.

Where this guarantee applies, the appliance will be repaired or replaced at the manufacturer's option without charge. If the guarantee does not apply or has expired, you will be given a quotation for cost of repairs and any parts required.

Keep your purchase receipt with these instructions, and in the event of breakdown contact the HELPLINE on 0844 871 0011.

Safety measures and disposal

Never try to repair the appliance or the electrical parts yourself. Any repair carried out by an unskilled person is dangerous and may affect the guarantee. Contact the Helpline for assistance and advice.

Disposal of old fridge or freezer

Disposal of the appliance must conform with EU environmental regulations.

Make the appliance not usable by cutting off the mains lead and removing any door locks.

The appliance must be delivered to an authorised collection centre.



This appliance/fitting is marked according to the European directive 2002/96/EC on Waste Electrical and Electronic Equipment (WEEE). By ensuring this product is disposed of correctly, you will help prevent potential negative consequences for the environment and human health, which could otherwise be caused by inappropriate waste handling of this product.

The symbol on the product, or on the documents accompanying the product, the Crossed Out Wheelie Bin symbol, indicates that this appliance/fitting may not be treated as household waste. Instead it shall be handed over to the applicable collection point for the recycling of electrical and electronic equipment. Disposal must be carried out in accordance with local environmental regulations for waste disposal. For more detailed information about treatment, recovery and recycling of this product, please contact your local authority, your household waste disposal service or the retailer where you purchased the product.

