

COOLZONE[®]



**CZ51040IDW
Dishwasher**

USER INSTRUCTIONS

Please read these instructions carefully before using this product and keep the instructions safe for future reference.

Page contents

Before use	3
Do and don't	3
Installation	4
Parts identification	6
Salt	7
Detergent with rinse aid	8
Loading the dishwasher	9
Front control panel	10
Starting the dishwasher	10
Wash cycle table	11
Energy saving tips	11
How to keep your dishwasher in shape	12
Cleaning and special maintenance	12
Troubleshooting	13
Fuse and mains plug replacement	14
Specification	15
Safety measures	15
After sales service	15

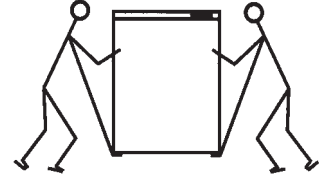
Before use

Packaging

The packaging is recyclable so dispose of it according to local regulations. Keep the packaging materials out of reach of young children.

Warning

The dishwasher is heavy and care is needed when unpacking and moving it. Get extra help and only hold it by the casing – not the door or trim.



Check the contents

Check the following contents are included with the product and inspect the casing for any damage. If there is any need, contact your retailer from whom you purchased the product.

- Dishwasher unit complete with shelves, hoses etc. (Template attached to door)
 - 1 metre grey hose with straight union and 90° union
 - 1 drain hose guide 180°
 - 1 white plastic funnel for salt dispensation
 - 1 peel off 'B' sticker
 - 1 plastic adhesive backed strips
 - 2 plastic capping strips
- ACCESSORY BAG:**
- 2 stamped steel brackets
 - 2 white plastic blanking plugs
 - 2 white plastic top hats
 - 2 black rubber grommets
 - 6 countersunk 15mm self-tapping screws
 - 4 cheesehead 25mm self-tapping screws
 - 2 flathead 18mm self-tapping screws

Important

Make sure that the voltage marked on the rating label on the product corresponds with the voltage in your home.

This quality product has been tested and certified to meet all applicable UK electrical and safety standards.

Do and don't

- ❖ Do install the appliance only in the vertical position.
- ❖ Do unplug before cleaning and maintenance.
- ❖ Do turn off the water supply and disconnect the electricity supply if the appliance malfunctions.
- ❖ Do only use this appliance in accordance with the manufacturer's instructions.
- ❖ Do make the appliance safe when disposing of it by cutting the power chord and removing the door lock
- ❖ Do keep detergents away from children
- ❖ Do keep them away from the appliance when it is open.
- ❖ Don't attempt to repair the appliance yourself (see Helpline information – back cover).
- ❖ Don't use this appliance when barefoot or with wet hands.
- ❖ Don't use extension cords or multiple sockets.
- ❖ Don't lean or sit on the appliance door when it is open.

Installation

Positioning the appliance

When deciding on a location for the appliance, please bear the following points in mind:

- The depth of the unit from front to back is roughly the same as the majority of work surfaces. This means there is not enough room for any pipes etc. to be positioned at the rear of the unit. To facilitate this, the dishwasher is designed with the water supply and drain hoses positioned to the right and left for correct installation. The back rests against the wall.
- The lower plinth for the kitchen base units will need to be removed for installation.
- The minimum dimensions of the space required for the appliance are shown in Figure 1.

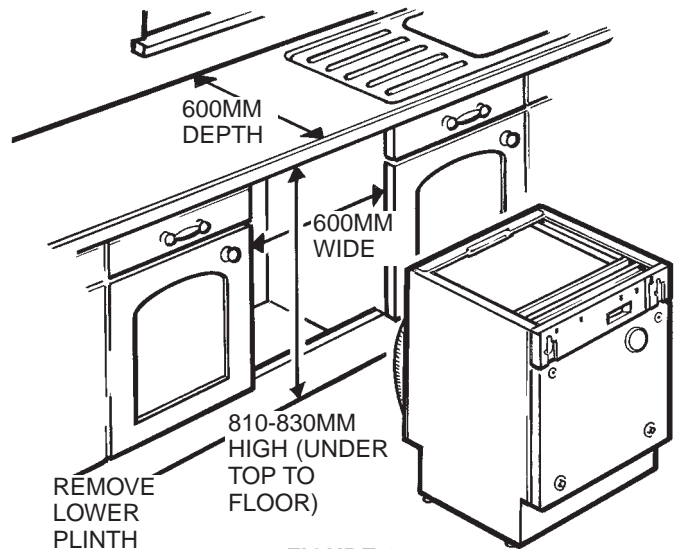


FIGURE 1

Provision for the connections

The connections for the appliance are shown in Figure 2 and Figure 3.

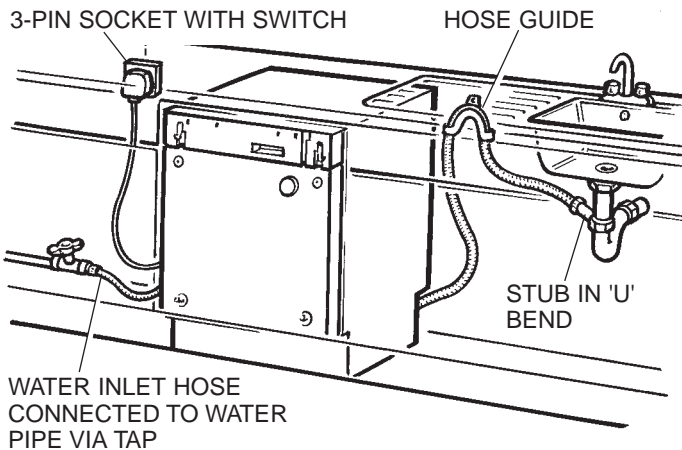
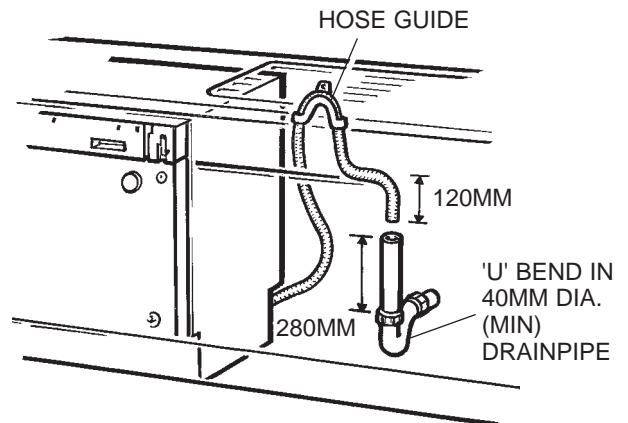


FIGURE 2



Connecting the drain hose to new drainpipe

FIGURE 3

Drain hose connection

When routing the drain hose, avoid bending or crimping it. Use the plastic hose guide that comes with the appliance ensuring that it is securely fastened to the wall.

You can either let the drain hose empty straight into the sink, connect it to a stub from the sink waste 'U' bend as shown in Figure 2, or to a new drainpipe of at least 40mm diameter with a 'U' bend as shown in Figure 3. If connecting to a new drainpipe, please note that the free end of the drain hose must be at a height of between 40-100cm and in a position where it is never immersed in standing water (Figure 3).

Water supply hose connection

The water supply pipe must be terminated to enable you to connect the dishwasher water inlet hose to it. If the pipe work is new, run water through the pipes to flush out any impurities and residues. Alternatively, but not ideally, the dishwasher can be connected to a hot water supply. If this option is chosen, the hot water supply must never exceed 60°C otherwise the crockery may be damaged or the shortened wash cycle will give inferior results. Before connecting to any water supply insert the small filter supplied in the dishwasher connector before screwing it to the water supply (Figure 3, page 5).

Electrical connection

Connect the dishwasher to the electricity supply via a suitable 3-pin outlet socket. The socket must be earthed and have an ON/OFF switch (Figure 2)

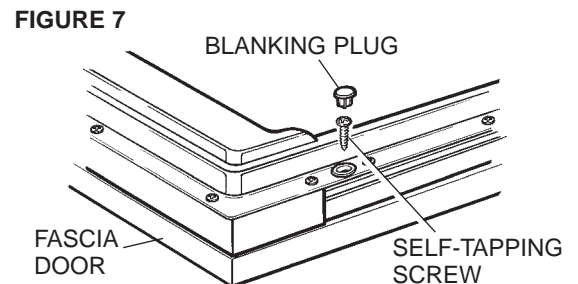
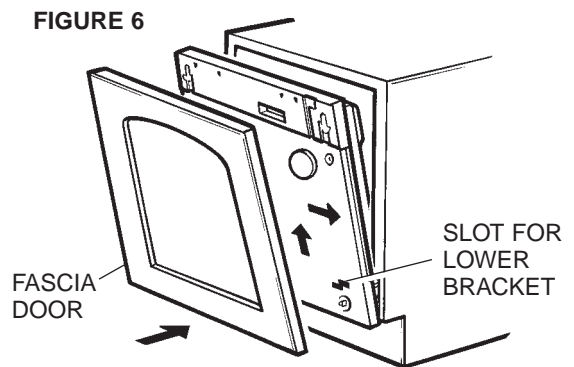
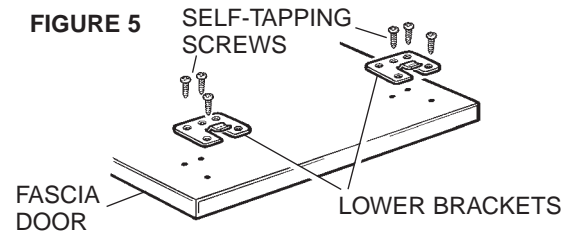
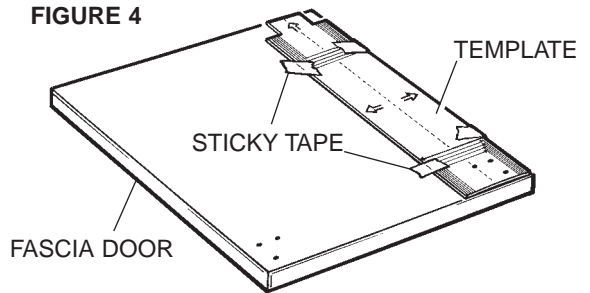
Note: The socket and switch must be accessible when the appliance is installed.

Installation - continued

Fitting your decorative fascia door

Provision is made on the dishwasher front panel for the fitting of your own fascia door to match the rest of your kitchen units. It is held in position by two clips at the bottom and two screws at the top. A template is provided to aid the positioning of the brackets and screws.

1. First check the width of your door is between 582mm and 598mm.
2. Align the template with the top and the side of the door, tape it in place and mark the position of the screw holes; first one side and then the other (Figure 4).
3. Make pilot holes in the door and then, using the short 12mm self-tapping screws supplied, screw the two lower brackets in position with the tabs pointing downwards (Figure 5).
4. Locate the two lower tabs on the door brackets into the slots in the dishwasher front panel. Lift the door up and slide to the right (Figure 6).
5. Open the dishwasher panel right down and align the top corners of the door with the top corners of the dishwasher panel (Figure 7).
6. Attach the top of the door to the dishwasher front panel with two of the self-tapping screws supplied and then fit the two plugs onto the heads of the screws (Figure 7).

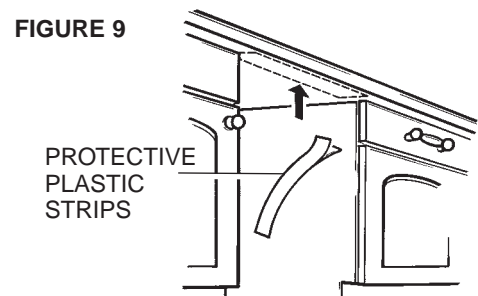
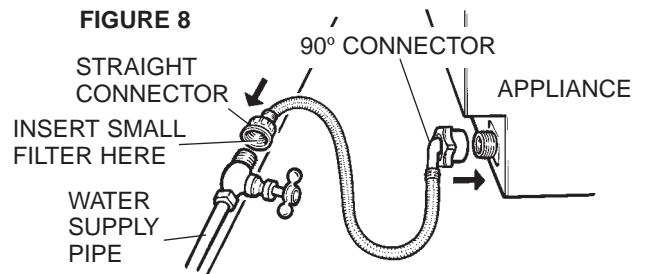


Fitting the dishwasher under the work surface

1. Slide the dishwasher into the opening under the work surface, just far enough to connect it to the water and electric supplies and also the wastepipe (Figures 8 opposite and 2 and 3 on page 4).

Ensure the small filter is secure inside the hose connector which connects to the water supply tap. Only use the 90° connector to connect to the dishwasher.

2. Peel the backing paper off and stick the protective plastic strip to the underside of the work surface.



Installation - continued

3. Push the dishwasher back as far as it will go ensuring that nothing is trapped between it and the wall.
4. Adjust the rear feet of the dishwasher with a hex socket by rotating the hexagonal studs on the plinth, either side, at the base of the dishwasher. A screwdriver with a suitable socket should be used for adjustment. **Warning - over tightening can damage the appliance.** Adjust the front feet after loosening (Figure 10).
5. Finally, adjust the position of the appliance until the fascia door aligns exactly with the adjacent kitchen units (Figure 3)
6. When satisfied with the position of the dishwasher in relation to the other kitchen units, screw the top bracket of the dishwasher to the underside of the work surface with two of the larger 25mm self-tapping screws supplied (Figure 11).
At this point you could attach the handle to your dishwasher fascia door.
7. Temporarily refit the continuous lower plinth and carefully open the dishwasher door a little to check if the door clears the top of the plinth by at least 3mm (Figure 12).
8. If the door does not clear the plinth, remove the plinth and recess it by as much as is required to give a 3mm clearance, 600mm wide (Figure 13).

FIGURE 10

HEX ADJUSTERS FOR REAR FEET

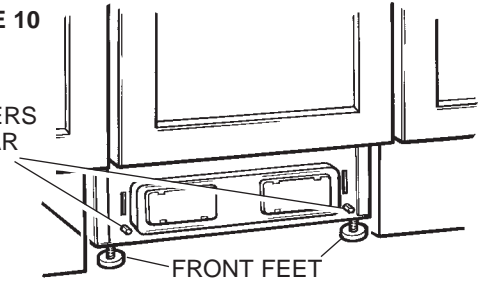


FIGURE 11

SELF-TAPPING SCREWS

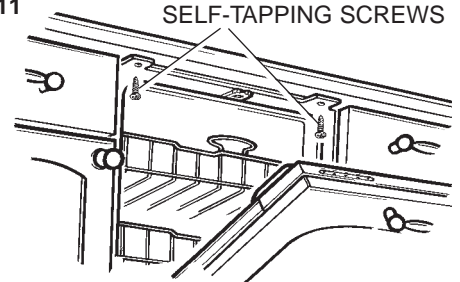


FIGURE 12

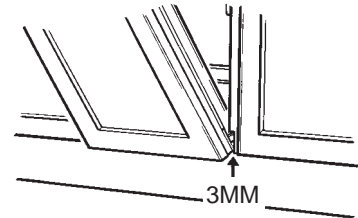
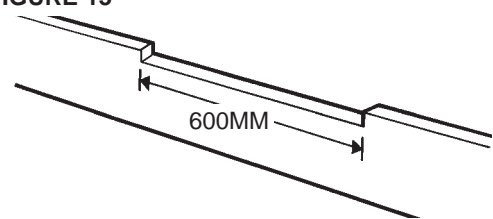


FIGURE 13



Once you are satisfied with the installation of the dishwasher, you are ready to start learning about its features and operation and then how to use it for the best results.

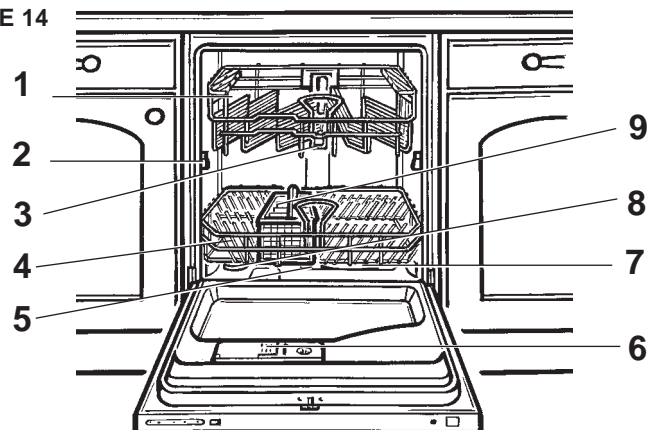
First remove all the polystyrene packing, sticky tape and tie-wraps from inside i.e. wash baskets etc. and wipe the inside with a damp cloth ready for use. It is advisable to run the machine empty for one wash cycle before loading with soiled crockery, etc to remove any residues from the manufacturing process.

Parts identification

The parts are numbered below to help identification. Ensure all the parts are present and that none are broken.

1. Upper Rack
2. Rack Height Adjustor
3. Top Spray Arm
4. Lower Rack
5. Bottom Spray Arm
6. Detergent and Rinse Aid Dispenser
7. Washer Filter
8. Salt Container Cap
9. Cutlery basket

FIGURE 14



Salt

Salt

The hardness of the water varies depending upon where you live. If hard water is used in the dishwasher, deposits will form on the dishes and utensils.

This appliance is equipped with a special softener that uses a salt specifically designed to eliminate limescale and minerals from the water.

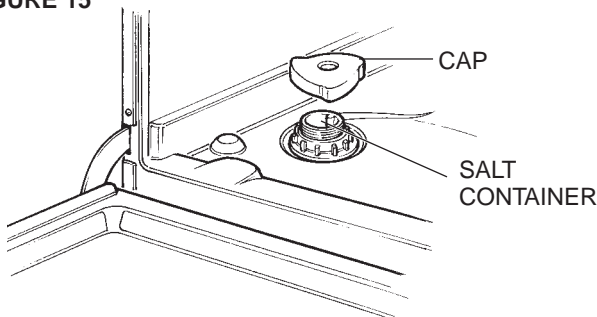
Loading the salt into the softener

Always use salt intended for use with dishwashers.

The salt container is located beneath the lower rack and should be filled as follows:

- Remove the lower rack and then unscrew and remove the cap from the salt container. (If you are filling the container for the first time, fill it with water before adding the salt.)
- Place the end of the funnel (supplied) into the hole and introduce about 2kg of salt. It is normal for a small amount of water to come out of the salt container.
- Carefully screw the cap back on.

FIGURE 15



It is advisable to top up the salt container monthly and to fill until the salt reaches the top.

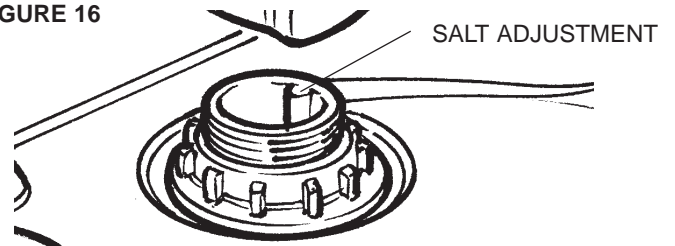
To prevent the formation of rust, load the salt just before beginning a wash cycle.

Adjusting salt consumption

The dishwasher is designed to allow you to adjust the amount of salt consumed, based on the hardness of the water in your area. This is intended to optimise and customise the level of salt consumption so that it remains at a minimum.

To adjust salt consumption, proceed as follows:

FIGURE 16



- Unscrew the cap from the salt container. The salt adjuster has an arrow on it (Figure 16).
- Place a small screwdriver in the top of this arrow and gently rotate clockwise (softer water) or anti-clockwise (harder water) to the required position depending upon water hardness.

Detergent and rinse aid

Detergent

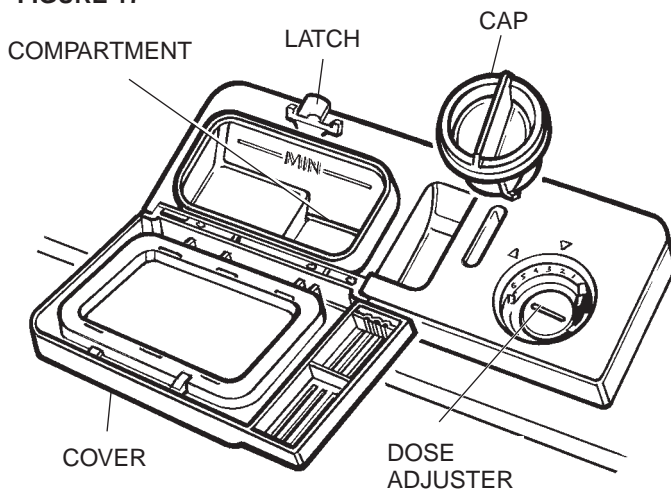
Detergent specifically intended for use with dishwashers must be used. The dispenser must be filled before the start of each wash cycle following the instructions provided in the "Wash Cycle Table". The detergent dispenser is located on the inside panel of the door.

Loading the detergent

To open the cover on the dispenser, press the latch. The detergent for the wash cycle should be placed in the compartment.

After the detergent has been placed in the dispenser, close the cover and press down until it "clicks" in place.

FIGURE 17



Please Note: To facilitate closing the cover, remove any excess detergent on the edges of the dispenser.

Rinse aid

This product makes dishes sparkle and helps them to dry without spotting. The dispenser is located on the inside panel of the door and should be filled after every eighty wash cycles (or when the "low rinse aid" indicator light comes on for those models with this feature).

Loading the rinse aid

Regardless of the type of detergent dispenser installed on your appliance, you must proceed as indicated below when loading the rinse aid.

To open the dispenser, release the cap in an anti-clockwise direction and then pour in the rinse aid, making sure not to overfill.

The amount of rinse aid used for each cycle can be regulated by turning the dose adjuster, located beneath the cap, with a screwdriver. There are 6 different settings; the normal dosage setting is 3.

Important:
Proper dosage of the rinse aid improves drying. If drops of water remain on the dishes or spotting occurs, turn the dosage adjuster to a lower setting.

Loading the dishwasher

Before placing the dishes in the dishwasher, remove the larger food debris to prevent the filter from becoming clogged, which results in reduced performance.

If the pots and pans have baked-on food that is extremely hard to remove, we recommend that they be allowed to soak before they are washed. This will eliminate the need for extra wash cycles.

Pull out the rack to facilitate loading the dishwasher.

How to use the lower rack

We recommend that you place the most difficult to clean items on the lower rack; saucepans, for example, lids, serving dishes and bowls.

It is preferable to place serving dishes and lids on the sides of the racks in order to avoid blocking the rotation of the top spray arm.

- Pots, serving bowls, etc. must always be placed face down.
- Deep pots should be slanted to allow the water to flow out.
- Cutlery should be placed in the cutlery basket with the handles at the bottom. If the rack has side baskets, the spoons should be placed individually into the appropriate slots. Especially long utensils and sharp knives should be placed in the horizontal position at the front of the upper rack.

How to use the upper rack

The upper rack is designed to hold delicate and lighter dishware such as glasses, coffee and tea cups and saucers, as well as plates, small bowls and shallow pans (as long as they are not too dirty).

Position the dishes and cookware so that they are not in the way of the spray arms.

The upper rack can be adjusted for height by using the knobs located on the sides of the rack itself (Figures 18 and 19).

FIGURE 18

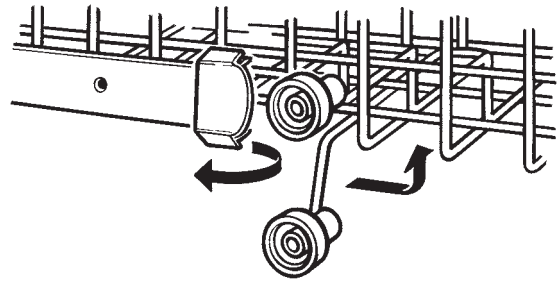


FIGURE 19

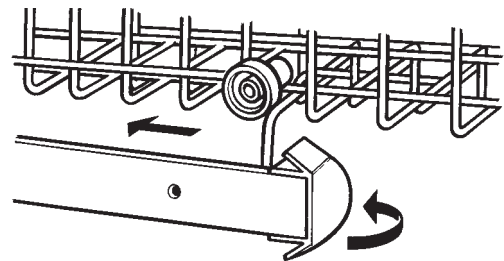
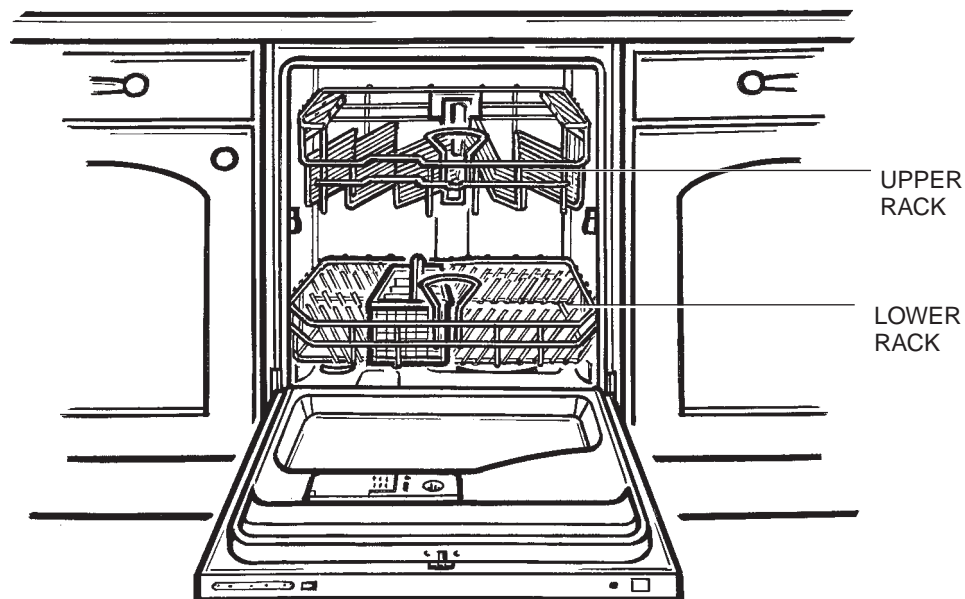
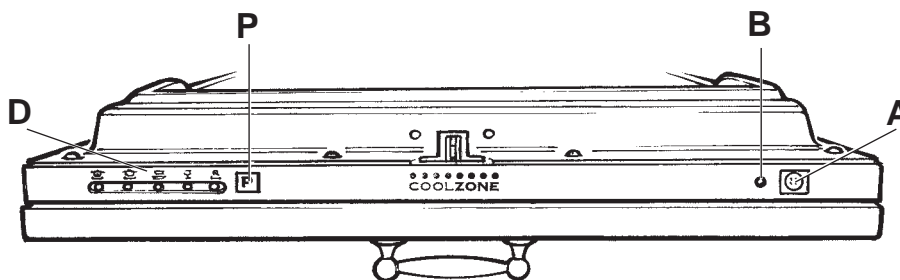


FIGURE 20



Front control panel

FIGURE 21



A. ON-OFF Button

B. ON-OFF Light

P. Cycle Select Button

D. Cycle Indicator Lights

Starting the dishwasher

Starting a wash cycle

Turn on the electricity and water supply to the dishwasher.

Partially open the door of the dishwasher, and press the ON-OFF button "A" located on the control panel. The "B" indicator light will come on.

At this point, the appliance is on and ready to be programmed.

Setting and starting a wash cycle

Choose the desired cycle by pressing the cycle selection button "P". Each time it is pressed, one of the cycle indicator lights "D" will come on in succession.

Choose the wash cycle you feel is most appropriate for the type of dishes that need washing (consult the wash cycle table (page 11), especially when first using the appliance). Close the door and after a few seconds, a short acoustic signal will sound indicating that the wash cycle has begun and cannot be modified. If necessary, read the paragraph entitled, "Cancelling or modifying a cycle while underway". The end of the cycle will be signalled by a double acoustic sound, and the indicator light "D" will begin to 'blink'.

Cancelling or modifying a cycle while underway

Example: A cycle that is underway can only be modified if it has only been running for a short time. Otherwise, the detergent may have already been used, and the appliance may have already drained the wash water. If this is the case, the detergent dispenser must be refilled (see the paragraph entitled, "Loading the Detergent").

To change the cycle currently underway, open the door, press the "P" cycle select button and hold it in for about 5 seconds. Once the cycle has been cancelled, the dishwasher will emit a short acoustic sound and the respective indicator light will turn off.

To set a new wash cycle, follow the instructions contained in the paragraph entitled, "Setting and Starting a Wash Cycle".


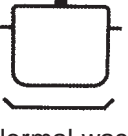



If you forget to load some of the dishes

The wash cycle can be interrupted by opening the door carefully (in order to avoid being sprayed by hot water). When the door is closed again, the cycle will automatically restart at the point where it left off.

At the end of the wash cycle

The end of the cycle will be indicated by a double acoustic signal and the 'blinking' of the "D" indicator light. Open the door, turn off the appliance using the ON/OFF switch and turn off the water supply to the appliance. Wait a few minutes before removing the dishes so as to avoid handling them while still hot (when they are more susceptible to breakage) and to get better drying results.

Wash cycle table

Cycle	Cycle Selection Information	Description of Cycle	Detergent	Rinse Aid
 Heavy Duty	Very dirty dishes, pots and pans (not to be used with delicate items).	Pre-wash with cold water. Extended wash at 70°C. Rinse with cold water. Rinse with hot water. Drying.	30g	★
 Normal wash (IEC-EN50242)	Normally dirty dishes, pots and pans. Standard daily cycle.	The second pre-wash use cold water. Extended wash at 50°C. Rinse with cold water. Rinse with hot water. Drying.	30g	★
 Light Wash	Normally dirty dishes, pots and pans without dried on residue.	Pre-wash with cold water. Extended wash at 50°C. Rinse with cold water. Rinse with hot water. Drying.	30g	★
 Glassware	Economic, fast cycle to be used for items which are sensitive to light. Run immediately after dishes are used.	Wash at 50°C. Rinse with warm water. Hot rinse. Drying.	15g	★
 Rapid Wash	Economic, fast cycle to be used on not very dirty dishes right after they are used. No drying cycle.	Short wash at 40°C. Cold rinse.	15g	

Energy saving tips

- Run the dishwasher when it is fully loaded in order to save energy.
- Choose the right wash cycle. The choice of cycle depends on the type of dishware, cookware and utensils being washed and how dirty they are.
- Use the right amount of detergent. If you use too much detergent, the result will not be cleaner dishes, but a greater negative impact on the environment.
- There is no advantage in rinsing dishes, cookware and utensils before placing them in the dishwasher.

How to keep your dishwasher in shape

After every wash

After every wash, it is advisable to turn off the water supply to the appliance and leave the door slightly ajar so that moisture and odours are not trapped inside.

Remove the electric plug

Before cleaning or performing any maintenance work on the appliance, always remove the electric plug from the mains outlet socket. Do not run risks.

No solvents or abrasive cleaning products

To clean the exterior and rubber parts of the dishwasher, do not use solvents or abrasive cleaning products. Only use a clean cloth and soapy water.

To remove spots or stains from the surface of the interior, use a cloth dampened with water and a little white vinegar, or a cleaning product made specifically for dishwashers.

When you go on holiday

When you go on holiday, it is recommended that you run a wash cycle with the dishwasher empty and then remove the plug from the socket, turn off the water supply and leave the door of the appliance slightly ajar. This will help the seals last longer and prevent odours from forming within the appliance.

Moving the appliance

If the appliance must be moved, try to keep it in a vertical position. If absolutely necessary, it can be laid on its back.

Seals

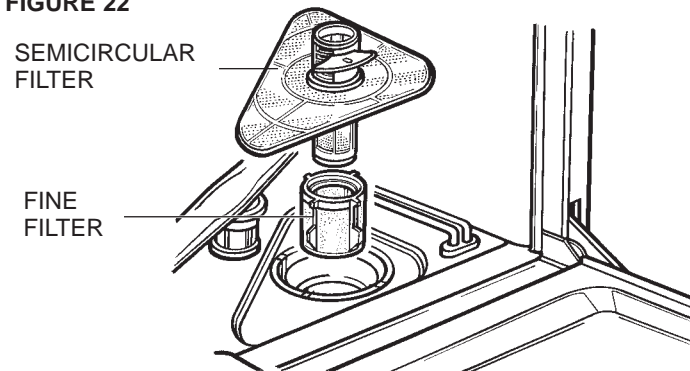
One of the factors that can cause odours to form in the dishwasher is food that remains trapped in the seals. Periodic cleaning with a damp sponge will help prevent this from occurring.

Cleaning and special maintenance

Filter assembly

For best performance and results, the filter assembly must be frequently cleaned.

FIGURE 22



The filter efficiently removes food residue from the wash water, allowing it to be re-circulated during the cycle. For this reason, it is a good idea to remove the larger food particles trapped in the filter after each wash cycle by rinsing the semicircular filter and cup under running water. To remove the filter assembly, pull on the cup handle in an upward direction. The entire filter assembly (made up of the "semicircular filter and the fine filter) should be cleaned at least once a week.

To clean the semicircular filter and the fine filter, use a cleaning brush. Then, reassemble the filter parts

as shown in the Figure 22. Re-insert the entire assembly in the dishwasher, positioning in its seat and pressing downwards.

Never use the appliance without the filters. Improper placement of the filters may damage the dishes and utensils etc.

Cleaning the spray arms

It may happen that food particles become encrusted on the spray arms and block the holes. Check the spray arms periodically and clean them when needed.

Cleaning the water inlet filter

If fitted, periodically clean the small water inlet filter located in the supply hose connector.

After turning off the water tap, unscrew the end of the water supply hose, remove the filter and clean it carefully under running water. Replace the filter and tighten the water supply hose back into position.

Troubleshooting

It may occur that the dishwasher does not work or does not function properly. Before calling the Helpline, please check the following:

The dishwasher does not start

Have you checked whether:

- The plug is pushed firmly into the outlet socket.
- The mains electrical supply is switched on.
- The door is properly closed.
- The ON-OFF switch is in the ON position.
- The water supply is turned on.

The dishwasher does not take in water

Have you checked whether:

- The water to the appliance is turned on and the hose is properly connected.
- The mains water supply is turned on and is of sufficient pressure.
- The water supply hose is not crimped or bent.
- The water supply filter is not clogged.

The dishes are not cleaned properly

Have you checked whether:

- The water to the appliance is turned on and the hose is properly connected.
- The mains water supply is turned on as is of sufficient pressure.
- The water supply hose is not crimped or bent.
- The water supply filter is not clogged.

The dishwasher does not drain properly

Have you checked whether:

- The drain hose is not crimped or bent.

Limescale deposits or a white film forms on the dishes

Have you checked whether:

- The lid to the salt container is closed properly.
- The rinse aid dosage is correct.

Error messages

The dishwasher is equipped with a safety system that is able to detect operating problems and malfunctions. These malfunctions are signalled by the rapid 'blinking' of one of the "D" program LEDs. Only in the case where the indicator light for the soak cycle (see table of cycles) 'blinks' rapidly should you cancel the cycle as described in the section entitled, "Changing a Cycle while Underway". Then check to make sure that there is water in the mains and that the tap is turned on. If the message continues, call the Helpline for technical assistance, indicating which message appears.

If any of the other indicator lights begin to 'blink' rapidly, turn off the appliance and call the **Helpline, 0844 871 0011** indicating which light began to 'blink'.

If, despite all these checks and after phoning the Helpline, the dishwasher still does not function and/or the problem persists, contact the nearest authorised service centre and provide them with the following information:

- The nature of the problem.
- The model Type Number (Mod...) and the Serial Number (S/N...), are indicated on a plate located on the side of the inner part of the door.

Fuse and mains plug replacement

This product is supplied with a moulded plug which contains a 13A fuse. If you are simply replacing the fuse, you must use a 13A fuse which has been approved by ASTA to BS1362 (Figure 23).

If the plug does not fit the socket or becomes damaged, a new plug must be fitted. Replace the original plug with the correct plug for your socket. If this is a 3-pin (square pin) 13A (BS1363) plug, you must make sure that it is fitted with an ASTA approved 13A fuse.

Do not use with fuse cover not fitted.

If another type of plug is used, it must be protected by a 15A fuse, either in the plug or at the distribution board.

1. Cut off the existing fitted plug.
2. The wires in the mains lead supplied with this appliance are coloured in accordance with the following code (Figure 24):

GREEN/YELLOW = EARTH (E)
BLUE = NEUTRAL (N) BROWN = LIVE (L)

This product must be earthed

As the colours of the wires in the mains lead may not correspond with the colour markings identifying the terminals in your new plug, proceed as follows.

The wire which is coloured GREEN or YELLOW/GREEN must be connected to the terminal which is marked with the letter E or \oplus symbol or coloured GREEN or YELLOW/GREEN.

The wire which is coloured BLUE must be connected to the terminal in the plug which is marked with the letter N or coloured BLACK or BLUE.

FIGURE 23

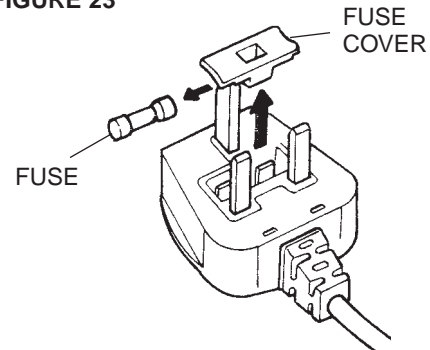
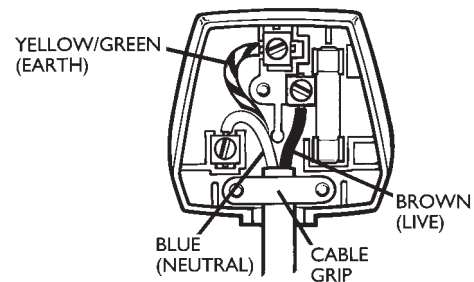


FIGURE 24



The wire which is coloured BROWN must be connected to the terminal which is marked with the letter L or coloured RED or BROWN.

3. Ensure that the connections are tight and that no loose strands are left out of the terminals.

IF IN ANY DOUBT CONSULT A QUALIFIED ELECTRICIAN.

If the mains lead becomes damaged consult a qualified electrician.

When not in use

If the appliance is to be turned off for a long period of time it is advisable to:

- ❖ Disconnect the unit from the mains supply.
- ❖ Empty the dishwasher.
- ❖ Clean and dry the interior.
- ❖ Leave the door open.

Specification

Dimensions: HxWxD cm:	82 x 60 x 55
Capacity:	12 standard place settings
Mains Water Pressure:	0.03-0.6MPa
Power supply	220/240V ~ 50Hz
Total Power	2100W
Energy efficiency	B
Cleaning performance	B
Drying performance	B

Product specification may vary without prior notice.

Safety measures

Never try to repair the appliance or the electrical parts yourself. Any repair carried out by an unskilled person is dangerous and may affect the guarantee. Contact the Helpline below for assistance and advice.

Disposal of old dishwasher

Disposal of the appliance must conform with EU environmental regulations.

Make the appliance not usable by cutting off the mains lead and removing any door locks.

The appliance must be delivered to an authorised collection centre.

After sales service

This appliance is guaranteed for a period of 2 years from the date of purchase. Keep your purchase receipt with these instructions.

If the appliance fails to work properly during the 2 year period contact the:
Helpline on 0844 871 0011.

The appliance will be repaired (at the manufacturer's discretion) at no cost to you. If the guarantee has elapsed, you will be given a quotation for any repairs or parts required.

