

# COOLZONE®



**CZ51162  
CZ51057 CZ51172  
Larder fridge with worktop**

## USER INSTRUCTIONS

**Please read these instructions carefully before using this product and keep them safe for future reference.**

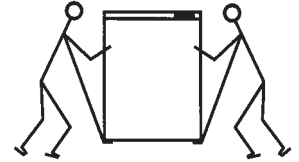
# Page contents

Before use	2
Do and Don't	2
Parts identification	3
Installation and controls	3, 4
Door reversal	4
Maintenance and cleaning	5
Troubleshooting	6
Fuse and mains plug replacement	7
Specification	back page
After sales service	back page
Safety measures and disposal	back page

## Before Use

### Packaging

The packaging is recyclable so dispose of it according to local regulations. Keep the packaging materials out of reach of young children. Before installation take care to remove all cardboard or other packaging, including material from the condenser tubes and any material surrounding the motor/compressor unit.



### Warning

The fridge is heavy and care is needed when unpacking and moving it. Get extra help and only hold it by the casing – not the door or trim.

### Check the contents

Check the following contents are included with the product and inspect the casing for any damage. If necessary contact your retailer from whom you purchased the product.

- |                                    |                           |
|------------------------------------|---------------------------|
| 3 x wire shelves                   | 2 x balcony shelves       |
| 1 x glass shelf over salad crisper | 1 x plastic salad crisper |
| Bottle rack                        |                           |

After unpacking, wipe the casing with a dry cloth and clean the inside with a damp cloth ready for food storage.

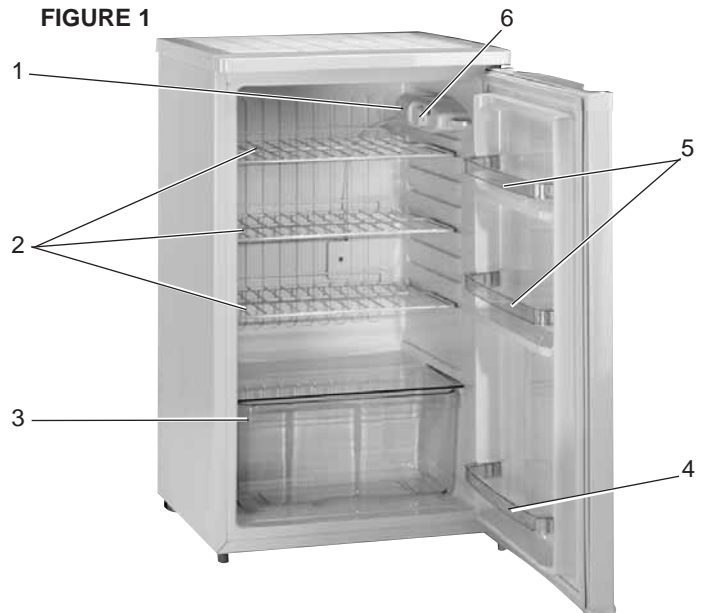
## Do and Don't

- ❖ Do read these instructions thoroughly before using this appliance.
- ❖ Do install the appliance only in the vertical position.
- ❖ Do let your refrigerator stand for 12 hours prior to connection, to allow the cooling gases to stabilise, if transported in a horizontal position.
- ❖ Do install to allow for adequate ventilation around the appliance.
- ❖ Do not install near heaters or other heat sources.
- ❖ Do unplug before cleaning and maintenance.
- ❖ Don't install the appliance in humid or extreme conditions.
- ❖ Don't attempt to repair the appliance yourself (see Helpline information – back page).
- ❖ This appliance is intended for domestic use only. Only use it in accordance with the manufacturer's instructions.
- ❖ Don't store goods containing inflammable or other explosive gases.
- ❖ Don't leave door closed if appliance is left switched off for long periods.

# Parts identification

The parts are listed and numbered below to help identification.

1. Interior light
2. Wire shelves
3. Salad/vegetable crisper
4. Bottle rack
5. Balcony shelves
6. Temperature control



## Installation and controls

### Important

Make sure that the voltage marked on the rating label on the product corresponds with the voltage in your home. This quality product has been tested and certified to meet all applicable UK electrical and safety standards.

### Operating conditions

The appliance is designed to work in room temperatures between +16°C and +32°C. Do not allow the room temperature to exceed +32°C otherwise the temperature inside the fridge will rise.

The refrigerator must be installed on a firm flat and level surface for it to work quietly and efficiently. If necessary, level the unit using the adjustable feet.

The fridge requires space around the casing for efficient cooling and operation. The minimum clearances are shown in Figure 2.

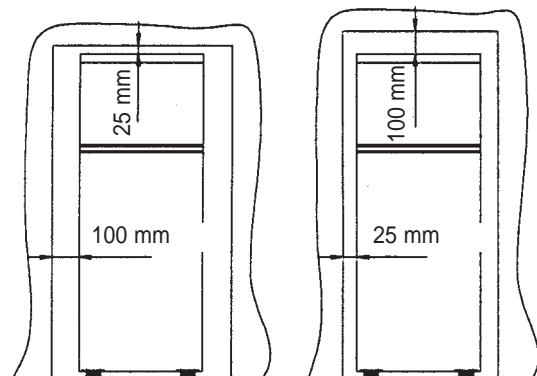
### Switching on

Plug the appliance into a nearby power socket and switch on. Open the door to reveal the temperature control (Figure 1) then turn the control to a half-way position on the dial. Leave the appliance running with the door closed for approximately 2 hours. This will allow the inside temperature to stabilise.

### Temperature control

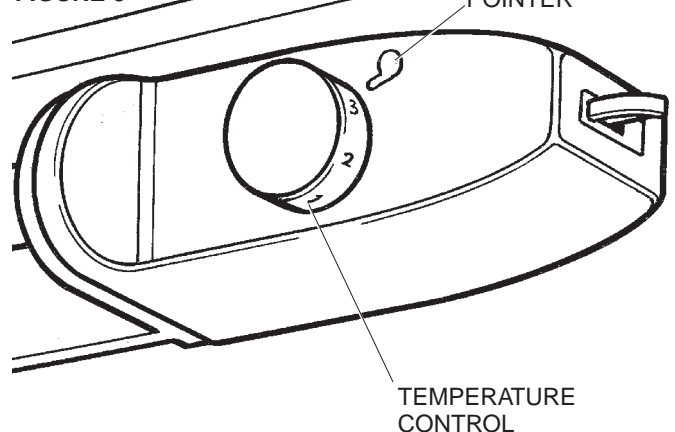
Open the door to reveal the temperature control (Figure 3). The temperature of the fridge is best maintained around 0°C to +5°C. Avoid setting the thermostat too high otherwise the temperature may fall to a point at which certain fresh foods may begin to freeze. The temperature scale runs from 1, the warmest setting, to 6, the coldest. Align the required setting with the adjacent pointer on the control housing. There is also an OFF setting which can be used when the fridge is left empty for long periods.

FIGURE 2



*Diagrams show alternative methods of providing correct air flow around the appliance.*

FIGURE 3



The fridge has an automatic defrost cycle. Droplets of condensation or ice particles on the back wall of the fridge are normal.

When storing food in the fridge keep food away from the rear wall. To allow free circulation of cold air don't pack food too tightly on the shelves and never put hot food in the fridge.

## Notes on operation

During normal operation the following noises may be heard:

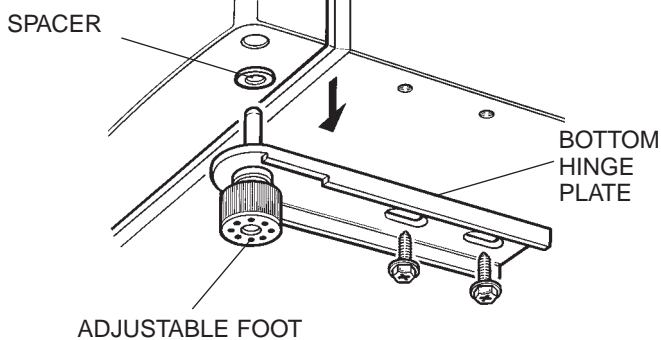
- ❖ Stifled murmur from compressor when it is working.
- ❖ Soft gurgling from the refrigerant flowing through the cooling system.
- ❖ Click from the thermostat switching on and off.

## Door reversal

**Reversing the door may make installation more convenient. The appliance must be tilted and supported in order to carry this out; it is therefore advisable to get an assistant to help during this procedure. Take care when fitting and tightening screws.**

Tilt and support the appliance then release the two screws holding the bottom hinge plate to the corner of the housing (Figure 4).

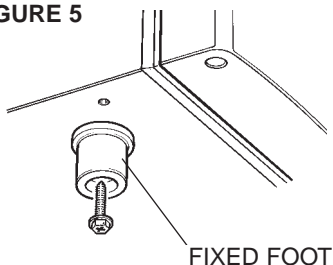
FIGURE 4



Lift away the door and place it safely on one side.

Unscrew the foot and refit it to the hole in the opposite corner of the base of the housing (Figure 5).

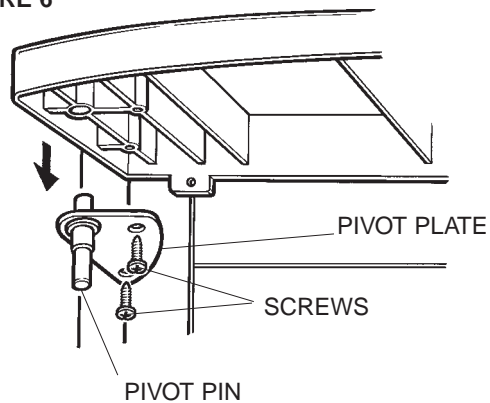
FIGURE 5



Return the appliance to the upright position.

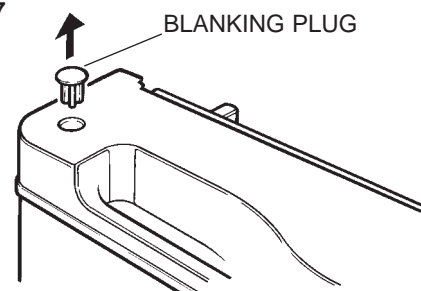
Unscrew the pivot plate from the underside of the cabinet top (Figure 6). Transfer the pivot plate to the mounting holes in the opposite corner of the underside of the cabinet top and fasten it in place with the screws removed earlier.

FIGURE 6



Prise the blanking plug out of its hole in the top edge of the door (Figure 7). Push the plug into the hole in the opposite corner of the top edge of the door.

FIGURE 7



Tilt and support the appliance.

Locate and support the door on the top pivot pin.

Take the bottom hinge plate (removed earlier). Ensure the spacer is in place on the hinge pin, then insert the hinge pin into the appropriate hole in the bottom edge of the door.

Screw the hinge plate to the bottom corner of the housing using the screws removed earlier.

Return the appliance to the upright position; door reversal is now complete.

# Maintenance and cleaning

## Important

The fridge must be turned off at the mains before maintenance or cleaning.

### General cleaning

It is recommended to clean and wipe out the fridge regularly or after any spillage inside or outside the appliance.

Use a teaspoonful of bicarbonate of soda diluted in a pint of warm water. Wipe the internal surfaces and shelving to remove food residues. Leave to dry before reloading food.

The fridge automatically defrosts by freezing and defrosting. Beware of the back wall as this may be cold to the touch. Avoid wiping this until it has thoroughly defrosted.

Wipe the outside casing from time to time in order to remove dirt and dust from ventilation vents etc.

Keep water away from the thermostat control and interior light switch.

Clean the door seals.

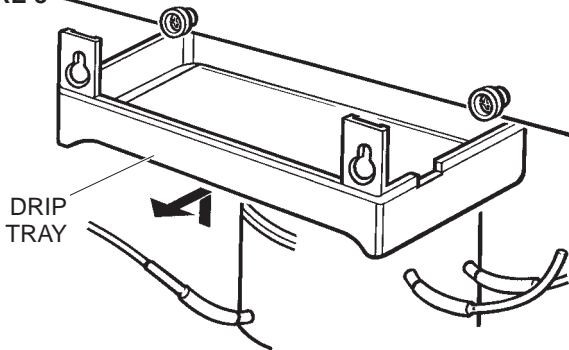
Remove accumulated dust, etc. from around the compressor motor taking care not to damage the pipes and the wiring.

Do not use abrasive or solvent-based cleaners on any part of the appliance, either internally or externally.

### Drainage channel

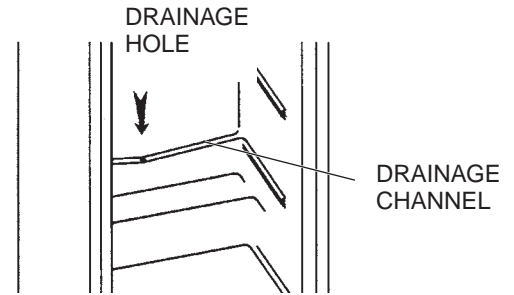
Water collects in the drainage channel on the back wall. It then passes to a drip tray on top the compressor at the back of the appliance, from which it evaporates (Figure 8). The drain should be

FIGURE 8



cleaned regularly to avoid the build up of impurities. Wipe the channel (Figure 9) with a damp cloth and use a small bottle brush, pipe cleaner or similar flexible object to clean out the drainage hole. Also unhook the drip tray and wipe it clean occasionally.

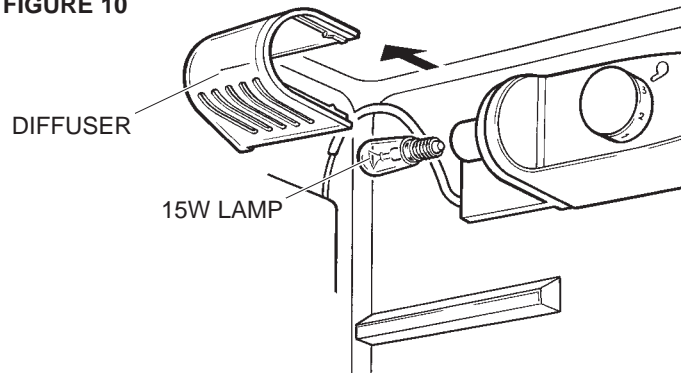
FIGURE 9



### Lamp replacement

To remove the lamp cover, grip the diffuser and pull it away from the side wall of the fridge. No tools are required. Unscrew the lamp and replace it with one of the same type, (15 watts SES E14). Clip the diffuser back into place (Figure 10)

FIGURE 10



### When not in use

If the appliance is to be emptied and turned off for a long period it is advisable to:

- ❖ Disconnect the unit from the mains supply.
- ❖ Empty the fridge of food.
- ❖ Clean and dry the interior.
- ❖ Leave the door open – do not close.

# Troubleshooting

<b>Problem</b>	<b>Possible cause</b>	<b>Remedy</b>
The lamp does not light	The lamp has blown	Replace the lamp with same type: 15W, SES, E14
There is water at the bottom of the fridge	Drainage hole blocked	Clean/unblock hole
The motor is on for long periods without switching off	Door opened too often The airflow around the unit is inadequate	Do not open door needlessly Allow more free space around the unit
Motor not working	No power to unit	Check fuses, plug, and power supply
Fridge is not cold enough	Thermostat set too low	Turn to higher setting

# Fuse and mains plug replacement

This product is supplied with a fitted plug which contains a 13A fuse. If you are simply replacing the fuse, you must use a 13A fuse which has been approved by ASTA to BS1362.

If the plug does not fit the socket or becomes damaged, a new plug must be fitted. Replace the original plug with the correct plug for your socket. If this is a 3-pin (square pin) 13A (BS1363) plug, you must make sure that it is fitted with an ASTA approved 13A fuse.

If another type of plug is used, it must be protected by a 15A fuse, either in the plug or at the distribution board.

1. Cut off the existing fitted plug.
2. The wires in the mains lead supplied with this appliance are coloured in accordance with the following code (Figure 11):

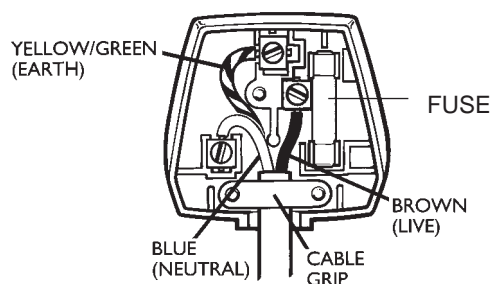
GREEN/YELLOW = EARTH (E)  
BLUE = NEUTRAL (N) BROWN = LIVE (L)

This product must be earthed

As the colours of the wires in the mains lead may not correspond with the colour markings identifying the terminals in your new plug, proceed as follows.

The wire which is coloured GREEN or YELLOW/GREEN must be connected to the terminal which is marked with the letter E or  $\oplus$  symbol or coloured GREEN or YELLOW/GREEN.

FIGURE 11



The wire which is coloured BLUE must be connected to the terminal in the plug which is marked with the letter N or coloured BLACK or BLUE.

The wire which is coloured BROWN must be connected to the terminal which is marked with the letter L or coloured RED or BROWN.

3. Ensure that the connections are tight and that no loose strands are left out of the terminals.

**IF IN ANY DOUBT CONSULT A QUALIFIED ELECTRICIAN.**

**If the mains lead becomes damaged consult a qualified electrician.**



# Specification

Total volume (litres)	126
Dimensions: HxWxD (mm)	850x505x525
Power supply	220/240V, 50Hz
Energy efficiency class	A
Annual power consumption (kWh/yr)	155

Product specification may vary without prior notice.

## After sales service

This appliance is guaranteed for a period of two years from date of purchase against defects in materials and workmanship only, and provided that all these user instructions have been strictly complied with. The guarantee does not cover incidental or consequential loss, such as loss of consumables.

Where this guarantee applies, the appliance will be repaired or replaced at the manufacturer's option without charge. If the guarantee does not apply or has expired, you will be given a quotation for cost of repairs and any parts required.

Keep your purchase receipt with these instructions, and in the event of breakdown contact the HELPLINE on **0844 871 0011**.

## Safety measures and disposal

Never try to repair the appliance or the electrical parts yourself. Any repair carried out by an unskilled person is dangerous and may affect the guarantee. Contact the Helpline for assistance and advice.

### Disposal of old fridge

Disposal of the appliance must conform with EU environmental regulations.

Make the appliance not usable by cutting off the mains lead and removing any door locks.

The appliance must be delivered to an authorised collection centre.



**This appliance/fitting is marked according to the European directive 2002/96/EC on Waste Electrical and Electronic Equipment (WEEE). By ensuring this product is disposed of correctly, you will help prevent potential negative consequences for the environment and human health, which could otherwise be caused by inappropriate waste handling of this product.**

The symbol on the product, or on the documents accompanying the product, the Crossed Out Wheelie Bin symbol, indicates that this appliance/fitting may not be treated as household waste. Instead it shall be handed over to the applicable collection point for the recycling of electrical and electronic equipment. Disposal must be carried out in accordance with local environmental regulations for waste disposal. For more detailed information about treatment, recovery and recycling of this product, please contact your local authority, your household waste disposal service or the retailer where you purchased the product.