

### SPLASHBACK PANEL

Please read through these instructions before attempting to install the panel

FIGURE 1

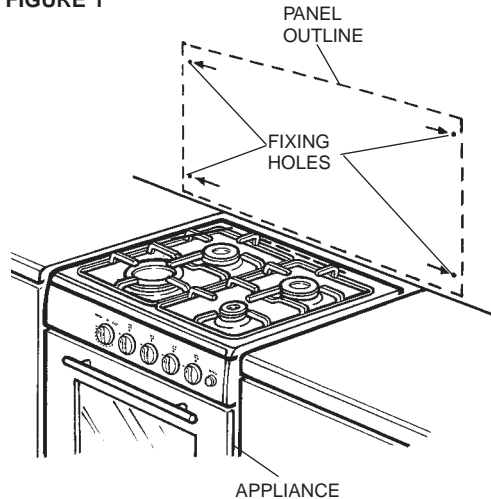
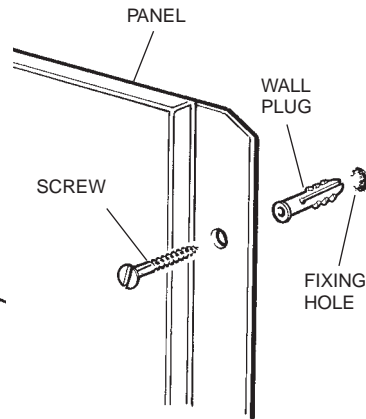


FIGURE 2



#### INSTALLATION

1. Carefully unpack the splashback panel, setting aside all packing materials.
2. Ensure all foam inserts are removed from the panel rear.
3. Peel any protective film away from the panel rear surface.
4. Lift the panel up into its chosen position, both level and centred over its appliance and mark the fixing holes onto the wall (Figure 1).
5. Set the panel aside, then drill the wall for supplied wall plugs (Figure 2).
6. Secure the panel to the wall with screws provided.
7. The thickness of the panel allows a flush installation when surrounded by ceramic tiles. Take care if tiling and grouting around the panel edges not to scratch the polished surface
8. Wipe the panel regularly with a soft cloth to maintain its appearance.
9. Never use abrasive cleaners of any kind on the panel surface.
10. When fully installed, a bead of suitable silicon type sealer can be applied along the panel lower edge.

For technical assistance and spares  
**HELPLINE 0844 871 0011**  
Monday to Friday during office hours.

We continuously try to improve our products for the benefit of our customers.  
For this reason we reserve the right to make changes to any product at any time, without notice.

COOLZONE INSTRUCTIONS CZ26949/070408