

# **COOLZONE<sup>®</sup>**



**50cm Single Cavity Electric Cooker**

**CZ55585**

**INSTALLATION AND OPERATING INSTRUCTIONS**

The product may differ from the one illustrated but the installation and operation procedure remains the same

# Contents

Introduction	3
Unpacking	3
Before installation	3
Location	4
Electricity supply	5
Safety chain anchors	5
Electrical connection	6
Levelling the cooker	6
Securing the safety chains	7
Preparation	7
Safety notes	8
Fire safety	8
Cooker controls	9
Using the hob	9
Using the grill	10
Using the oven	11
Care of the cooker	12
Cleaning the cooker	12
Cleaning the glass door	13
Changing the oven lamp	13
For best cooking results	14
Troubleshooting guide	15
Safe cooker disposal	16
Customer Helpline	16
Specification	16

# Introduction

Thank-you for choosing this quality appliance. It has been designed to provide trouble-free service provided it is installed and maintained correctly. This cooker is for domestic use only.

Please read these instructions carefully before installing or using your appliance. It is advisable to keep your purchase and installation receipts with these instructions in a safe place for future reference. Included is some important safety information, guidelines and recommendations to enable you to safely use your cooker.

This appliance has been tested and certified to meet all applicable UK electrical and safety standards.

This appliance must only be installed and repaired by a qualified electrician from an authorised service dealer. If it is not repaired properly you could be putting yourself and others in danger. It will also invalidate the guarantee.

**If you have any questions or need assistance please telephone the Helpline on 0844 871 0011.**

When contacting the Helpline please have model number to hand. The model number is shown on the data label which is visible by opening the oven door.

## Unpacking

Carefully remove all the packaging and lift out the cooker and accessories.

Open the oven and remove any tape or packing material used for transit.

Check the appliance for any damage. If it has been damaged **do not use it** and contact the retailer from whom the appliance was bought.

Retain the packaging until the cooker has been installed, removing it from the area of installation and keeping it out of the reach of children.

Dispose of all the packaging in accordance with your local authority guidelines as well as any old appliance that is being replaced – see “Safe cooker disposal” section.

## Before installation

Before any installation work can be carried out a number of requirements must be met.

Make sure that you or your installer are familiar with all the relevant building and fire regulation requirements before choosing the location of your appliance.

This appliance must be installed in accordance with the instructions to validate the guarantee.

Refer to the “Location” section for minimum clearances and safe placement of your cooker.

# Location

## Position of the cooker

The position of the cooker should ensure free access to all controls.

Avoid installing the cooker next to a fridge, freezer or boiler.

## Safety Requirements

Ensure that the surrounding material is heat resistant and non-combustible.

The electricity supply must be routed near to the installation.

There must not be any plugs, wires or sockets in the wall directly above or behind the cooker top.

## Clearance space

Certain minimum clearances must be allowed for when planning the unit's location (Figure 1):

The cooker should be installed into a space at least **550mm** wide.

There should be an open space above the hob to allow kitchen odours to disperse. A cooker hood may be installed to either absorb or extract the odours. The distance between the hob and the hood must not be less than **650mm** (Figure 1).

Leave adequate clearance between the cooker top and adjacent tall cupboards (no less than **150mm**.)

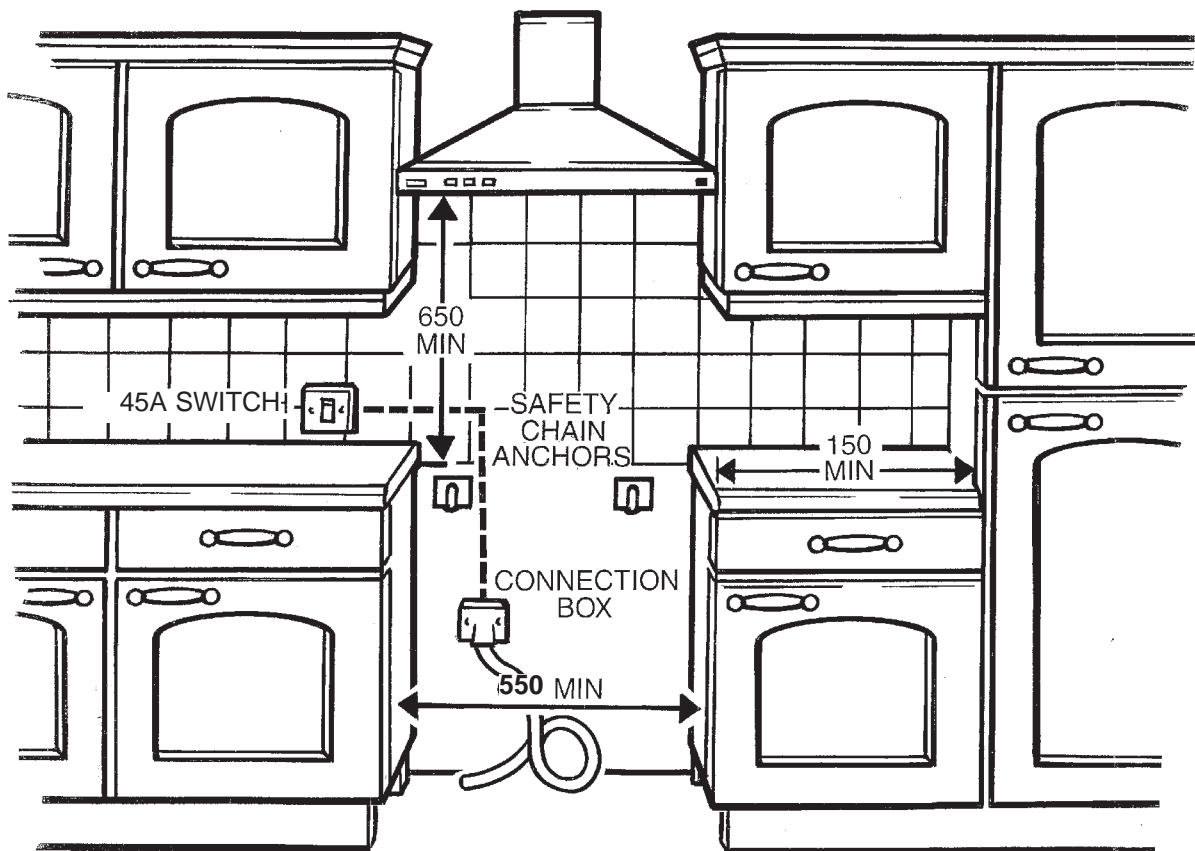


Figure 1 - Minimum clearances

## Electricity supply

Once a satisfactory location has been established, the electrical supply to the appliance must be arranged. The mains voltage must correspond to that which is specified on the data plate.

The supply should be from a 45 amp fused spur, with an isolator switch installed above the work surface and to one side of the unit in case of an emergency. The isolator switch must have working contacts separated by 3mm.

This installation must be carried out in accordance with current I.E.E Wiring Regulations and Building Regulations (Part P).

The mains supply cable from the isolator to the unit must be rated for the maximum power consumed by the unit (also specified on the data plate).

The supply cable must be long enough to allow for servicing the appliance.

The supply cable must be routed away from hot surfaces.

## Safety chain anchors

In order to eliminate the risk of the cooker falling forward, two chains have been installed at the rear of the cooker. Before use, these will need to be fastened securely to the wall behind the appliance with the anchor brackets supplied. (Figure 2):

1. Decide on a suitable wall location for the chain anchors, directly behind each cooker chain, at a height of 830mm from floor level. The distance between the two brackets should be 355mm, measured from the centre of each bracket. (Figure 2).
2. Hold the chain anchor up to the wall where it will be required, and mark the fixing holes. (Figure 2).
3. Drill the fixing holes and fix the chain anchors to the wall using the screws provided and suitable wall plugs for the type of wall being fixed to.
4. Leave the chains unattached until the installation process has been completed.

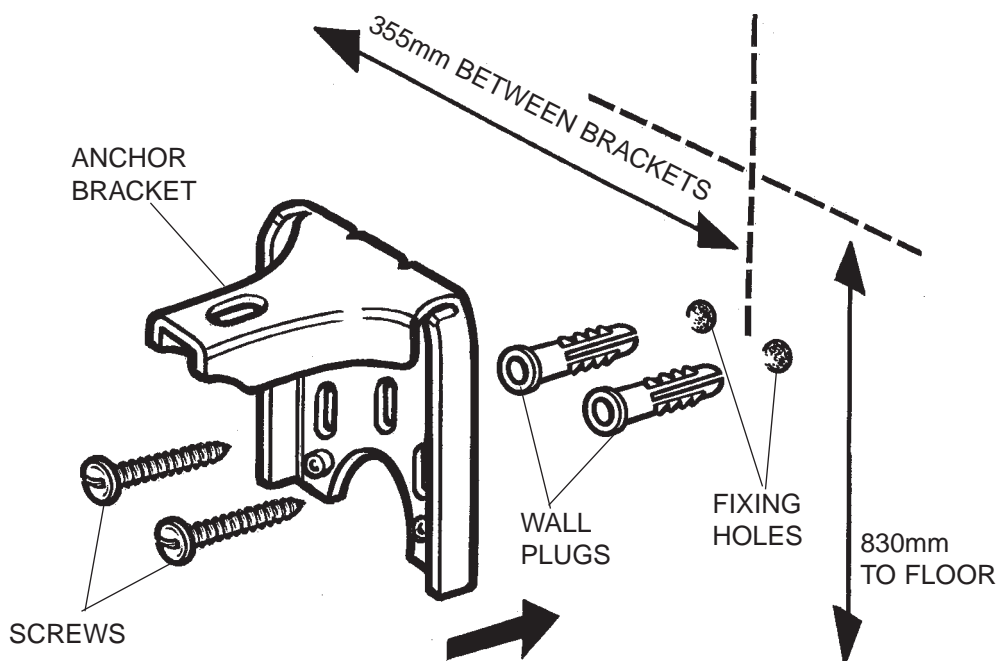


Figure 2 - Fixing an anchor bracket

# Electrical connection

The appliance must be properly connected to the mains supply by a qualified electrician according to current safety regulations.

**This appliance must be earthed.**

1. Lift up the cover (Figure 3).
2. Loosen the cable clamp (Figure 3).
3. Connect the mains supply cable to the terminal block on the cooker using the following colour code (Figure 3):
  - The yellow/green wire should be connected to the earth terminal identified ⊕.
  - The blue or black wire should be connected to either of the neutral terminals, marked 4 and 5
  - The brown or red wire should be connected to one of the live terminals, marked 1, 2 and 3

Secure the cable clamp. Check the cable terminals for tightness and ensure that the terminal links are in place, then close the cover over the terminal block.

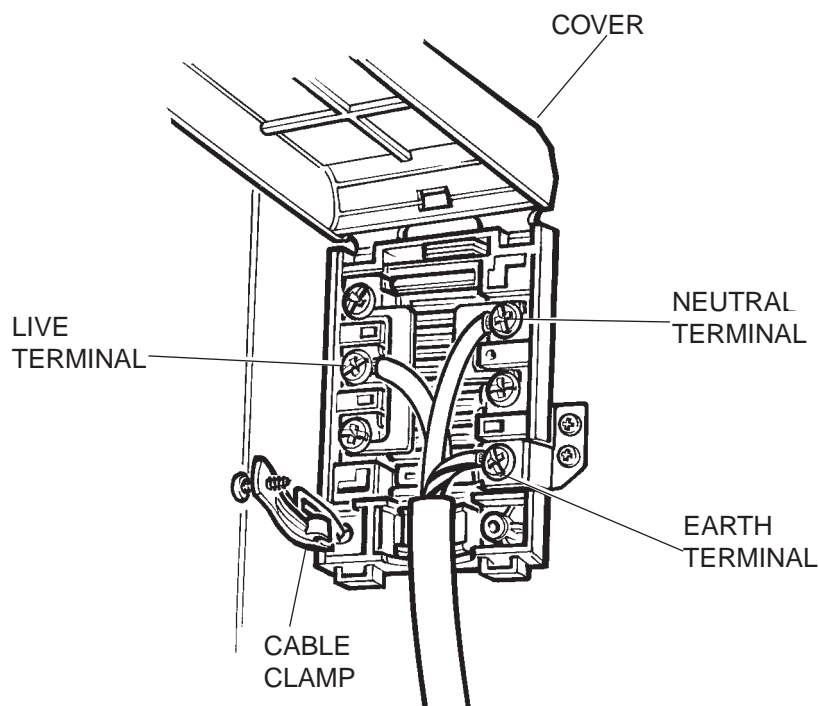


Figure 3 – Electrical connections

# Levelling the cooker

The cooker is equipped with adjustable feet designed for levelling the cooker and for adjusting the upper edge of the cooker to furniture level. (Figure 4).

1. Move the cooker into its final position.
2. If the upper edge of the cooker is not at the same height as adjoining units, use the adjustable feet to raise or lower the unit to the required height.
3. If the cooker is not level or is unstable due to an uneven floor surface, use the adjustable feet to adjust each corner until the cooker is level.

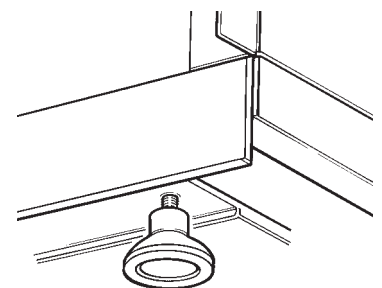


Figure 4 – Adjustable foot

# Securing the safety chains

Before securing the safety chains, check that you have completed the installation process and that all connections have been made successfully and that the cooker is in its final operating position.

Fix the security chains to their anchor brackets:

1. Loosen the hex nut at the unattached end of the safety chain, until it is flush with the screw end. Do not remove it completely. (Figure 5)
2. Insert the screwhead into the top hole of the anchor bracket by tilting it sideways so that it is at an angle to the top hole when it is inserted. (Figure 6)
3. When the screw head is fully engaged in the bracket, tilt it upwards so that it is straight, and tighten the hex nut to secure the end chain link into position.

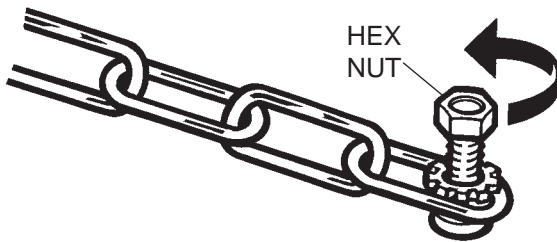


Figure 5 – loosening the hex nut

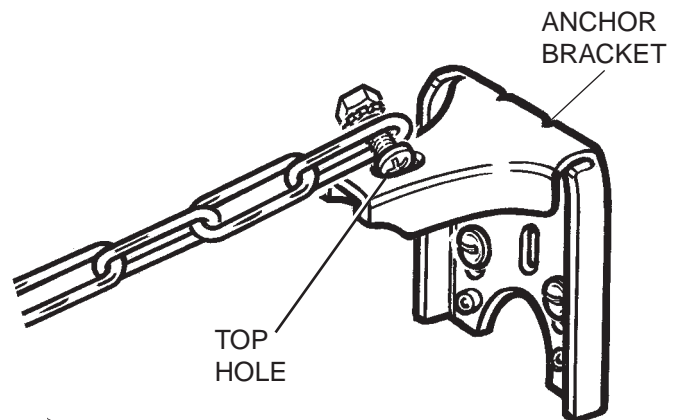


Figure 6 – securing the cooker

## Preparation

1. Ensure that the safety chains on the rear of the cooker is attached to its anchor on the wall behind.
2. Remove the remnants of any stickers, glue and adhesive tape from all surfaces of the cooker and the hotplates, with warm water and washing-up liquid.
3. Dry the inside and outside surfaces of the cooker with a soft lint-free cloth.
4. Turn the grill to a moderate heat (page 9) for a few minutes to burn off any dust and manufacturing residues.
5. Repeat the above process with the oven.
6. When using for the first time, turn on the hotplates, one at a time, and set the temperature selector knob to position '3'. Leave them on for about 5 minutes.

**When using for the first time the oven may smell for a short time while burning off residues.**

# Safety notes



- Make sure you understand what the cooker controls do before using the oven.
- Always turn the cooker controls to the OFF position when it is not in use.
- Before removing cooked food from the oven open the door carefully to allow any heat to disperse.
- Use dry oven gloves when removing items from the oven.
- Be careful when operating the cooker and take care to avoid touching hot surfaces inside the oven and grill, and hotplates on the hob.
- Ensure that the cables of other household appliances used near the cooker are away from its hot elements. Ensure also that the cables are not trapped by the oven door.
- Keep the oven door closed when the oven is not in use.
- Keep the cooker clean as a build up of grease or fat from cooking can cause a fire.
- Allow the cooker to cool before cleaning.
- Keep any ventilation holes clear of obstructions.



- Never leave children unsupervised where the cooker is installed as the appliance will get hot during and after use.
- Never allow anyone to sit or stand on any part of the cooker or surrounding work surface.
- Never heat up unopened food containers as pressure can build up causing them to burst.
- Never store chemicals, food stuffs or pressurised containers in cabinets above or next to the cooker.
- Never use the cooker as a room heater.
- Never dry clothes or place other items on the oven door.
- Never place flammable or plastic items on or near the hob
- Never line any part of the oven cavity with aluminium foil.
- Never lift the cooker using the oven door handle.



## Fire safety

Never fill a deep fat frying pan more than 1/3 full of oil

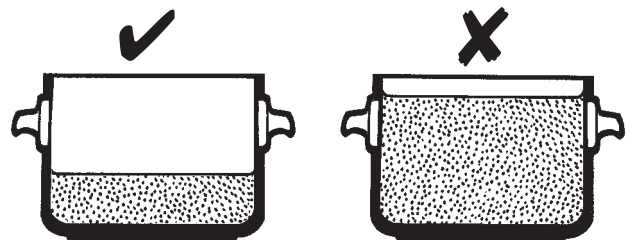
**Do not leave unattended while cooking!**

**In the event of a cooking pan fire:**

1. Turn off the hotplate.
2. Cover the pan with a fire blanket or damp cloth.
3. Leave the pan to cool for at least an hour before you try to move it.

**Never use a fire extinguisher to put out a pan fire** (the force of the extinguisher could tip the pan over.)

**Never use water to put out oil or fat pan fires.**





# Cooker controls

## Before using your cooker for the first time:

Read the operating and safety instructions thoroughly.

If you have not already done so, follow the steps in the "Preparation" section on page 7 so that the cooker is ready for use.

Familiarise yourself with the controls (Figure 7).

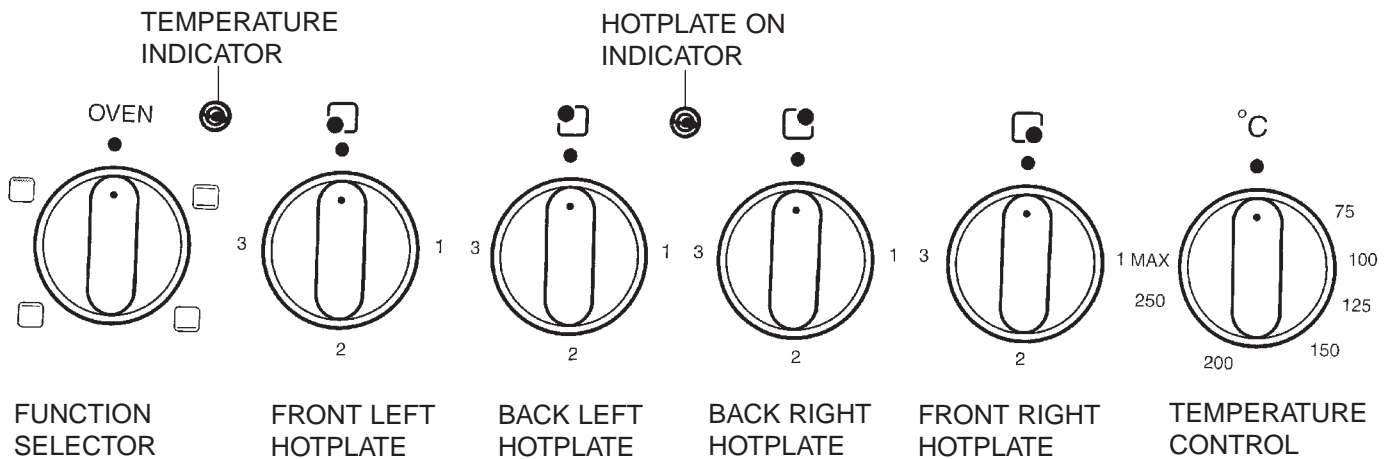


Figure 7 – controls

## Using the hob

### Before using your hob for the first time:

Read the operating and safety instructions thoroughly

If you have not already done so, follow the steps in the "Preparation" section on page 7 to burn off the protective film covering the hotplates.

Before switching on a hotplate, make sure that the selector knob you are using corresponds to the hotplate you wish to switch on (Figure 8).

**WARNING:** If any of the hotplates become cracked, disconnect the appliance from the mains supply and do not use until repaired by a qualified technician.

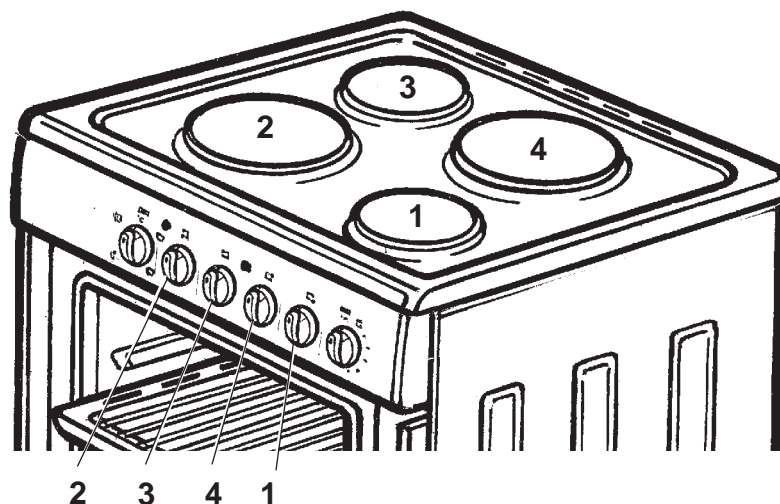


Figure 8 - hotplates

## The hotplates

The hotplate power is regulated with a 3 position temperature selector knob. The control allows for the efficient transfer of heat to the cooking pan (Figure 9).

The selector knob can be turned in both directions:

- Anti-clockwise to increase heat
- Clockwise to decrease heat

There are numbers ● to 3 marked on the knobs (Figure 9). These numbers correspond to the heat setting of the hotplate.

- 3 is the highest setting
- ● is OFF.

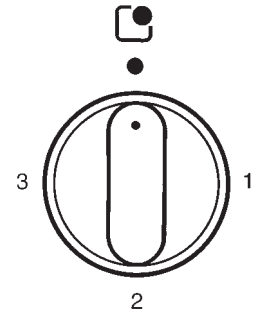



Figure 9 - selector knob

## Using the grill

**PLEASE NOTE: It is important to close the oven door when using the grill.**

Move the shelf to the first or second position from the top.

Select  on the function selector.

Use this function for grilling or top oven heat which is suitable for browning food.

Turn the thermostat control between 75°C and MAX and preheat the element for five minutes.

Place the food in the middle of the grill pan and position the pan so the food is near but not touching the top element.

Do not line the grill pan with aluminium foil or wrap food items with foil before placing under the grill. Aluminium foil has a high reflectivity which can damage grill elements.

When fitting the handle, hook the handle over the edge of the grill pan and through the wire rack at a central point along the grill pan edge, (Figure 10). Lower the handle fully down to fit.

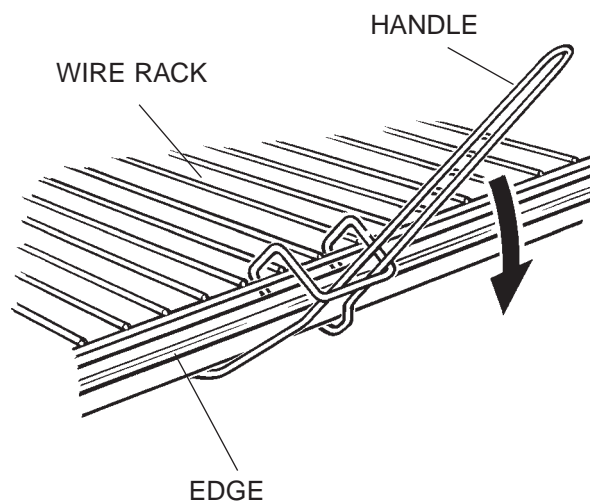


Figure 10 - Fitting the handle

# Using the oven

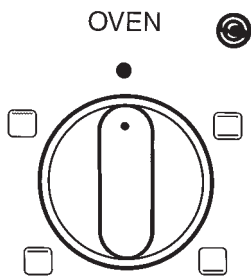


Figure 11 - Function selector

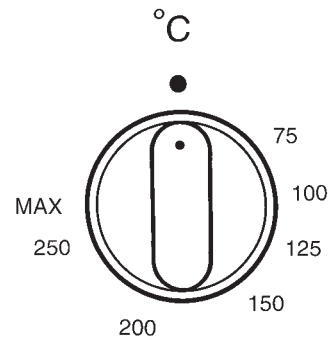


Figure 12 - Thermostat control

**PLEASE NOTE:** It is recommended to preheat the oven for a few minutes or wait until the temperature indicator goes off before placing food in the oven for cooking.

Be careful when using aluminium foil. Do not cover the sides of the oven, the shelf or oven interior. If wrapping food in foil the cooking time may increase.

## Function Selector

There are 4 functions and OFF.

Turn the control selector so that the symbol on the selector aligns with the marker on the control panel. The interior oven light illuminates when a function is selected.



### General cooking

The top and bottom elements are used to heat the oven.

The hottest part of the oven is at the top.



### Bottom element cooking

The bottom element is used to heat the oven.



### Top element cooking

The top element is used to heat the oven.



### Top heating element (grill)

Use this function for grilling or top oven heat which is suitable for browning food.



OFF position.

## Thermostat Control

The thermostat control determines the temperature inside the oven during cooking. Turn the control knob clockwise to align the cooking temperature with the marker on the control panel. During cooking the thermostat will maintain the set temperature. (Figure 12)

The temperature can be set between 75°C and MAX.

# Care of the cooker

Before removing a pan from a hotplate, reduce the heat or turn the hotplate off completely.

Ensure that the oven seal is always clean and free of debris.

Clean the cooker regularly to maintain its working condition and aesthetic appearance.

Do not steam pressure clean the oven.

## Hotplates

**Never turn the hotplate on before placing a pan on it** (except when first used).

**Never** sprinkle cold water onto a heated hotplate.

**Do not** allow spills to be burnt onto the hotplate since baked stains are very difficult to remove.

Keep the hotplates clean. A dirty hotplate does not transfer heat efficiently.

Avoid placing wet pans on the hotplates.

Never use the hotplates for preparing foods wrapped in aluminium foil or in plastic pans, or place any plastic trays etc. on the hotplates.

# Cleaning the cooker

**WARNING: The cooker must be allowed to cool down and be switched off at the mains electricity supply before cleaning.**

Clean the hotplates and the inside of the cooker after each spillage to remove cooking residues and dirt.

Hotplates should always be kept clean and dry to ensure proper performance.

When cleaning the cooker, do not use harsh abrasives, caustic cleaners or sharp objects.

Take particular care when cleaning the knobs, control panel, and any stainless steel parts, using soft cleaners which do not contain abrasives.

All stainless steel parts should be cleaned with a non-abrasive cleaning liquid on a soft cloth.

Clean the hotplates with a damp sponge and then dry them by turning them on for a few seconds. To maintain their appearance, apply a commercially available grease intended for hotplates.

The hotplate trim rings can be cleaned with products intended for stainless steel. The rings can become yellowed as a result of heating. This is normal.

If a hotplate is to be out of use for a long time, apply the special grease periodically.

# Cleaning the glass door

Ensure the oven door is cool before cleaning.

Removal of the door makes it easier to clean the door, the door surround and the seals.

## Removing the oven door

1. Open the door fully.
2. Insert the pins (supplied) into the pin-holes, on both hinges. (Figure 13).
3. Push up the latches with a screwdriver. (Figure 13).
4. Lift the door slightly as if closing, then with both hands supporting the door, pull the door upwards and then away from the oven.
5. Clean the glass part of the oven door with hot water and a soft cloth.
6. Wipe the rubber seals with a soft cloth taking care not to damage them.

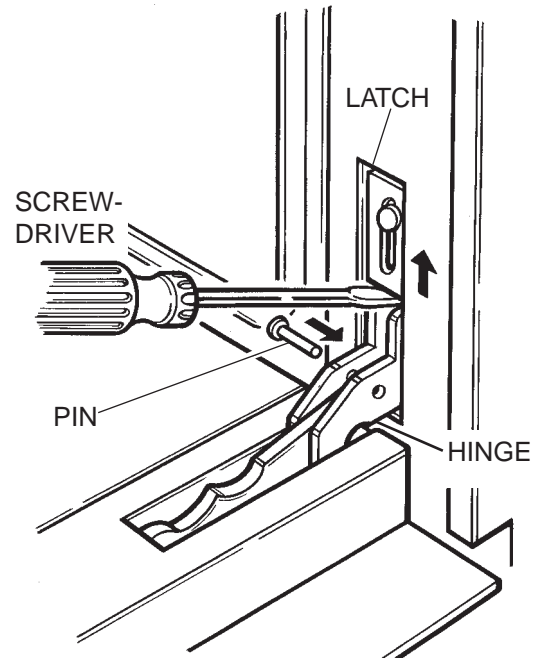


Figure 13 - Removing the oven door

## Replacing the oven door

1. Push up the latches with a screwdriver and place the hinges into the hinge holes.
2. Support the oven door and push down the latches with a screwdriver.
3. Remove the pins from the hinges.
4. Open and close the door to ensure it has been fitted correctly.

# Changing the oven lamp

Wait for the oven to cool.

Unscrew and remove the diffuser. Unscrew the lamp from the lampholder. Replace lamp and diffuser (Figure 14).

The replacement lamp must be of the same type, voltage and wattage (15W SES 300°C).

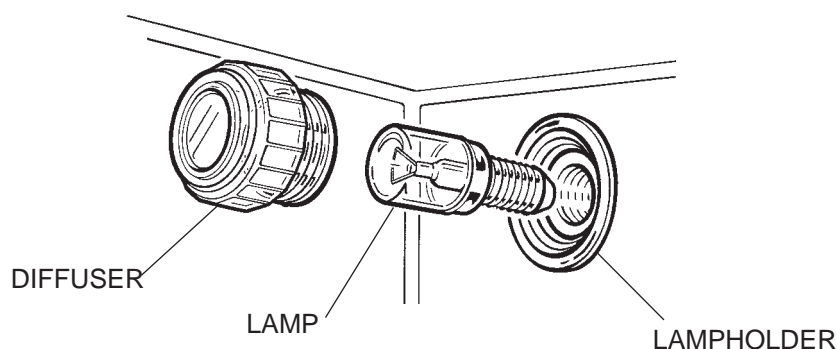


Figure 14 - Changing the lamp

# For best cooking results

For best results and good use of energy:



## Hob

- Use good quality cooking pans with thick flat bases. This gives the most efficient energy transfer from the hotplate
- Use pans of the correct diameter. The base should be about the same size as the hotplate
- Use pans which are large enough for the amount of food being cooked to ensure that they do not boil over and cause unnecessary cleaning.
- Use a correctly fitting lid when boiling or stewing to contain heat and improve boiling times.
- Never use recessed or ridged base pans. This wastes energy and gives a longer cooking time
- If the pan base is too small for the hotplate, energy is wasted
- Do not place lids on the hotplates.
- Do not heat an empty pan on the hotplates, as this will damage and discolour the cooking surface at the bottom of the pan.
- Do not use wet pans on the hotplates

## Grill

- For even cooking, ensure that the grill pan is positioned centrally below the grill element.
- To avoid fat splattering onto the oven interior, ensure that the grill pan is not lined with foil and the grill setting is not too high.

## Oven

- Ensure that the oven shelf is level. This will ensure even rising of cakes and cooking of food.
- To avoid under/overcooking, reduce or increase cooking times and temperatures to suit personal taste.
- Do not use pans greater than 52mm (2¼") in height for roasting.

# Troubleshooting guide

If you are experiencing problems with your cooker, check the following problems and solutions below before contacting the Helpline.

<b>Problem</b>	<b>Solution</b>
Slight odour or small amount of smoke when using the cooker for the first time.	This is normal and should cease after a short period.
Cooker does not work.	Check that the power supply switch is ON.
Oven temperature seems too high or too low.	Check that the temperature has been set in accordance correctly. It may be necessary to increase or decrease the recommended temperature by 10°C.
Oven does not cook evenly.	Check the temperature and shelf positions. Check that the cooking containers used in the oven allow sufficient air flow around them.
Hotplates are slow to boil or will not simmer.	Check that your pans conform to the recommendations in these instructions.
Grilling is uneven.	Check that the grill pan has been correctly positioned.
Marks appearing on hotplates.	The hob surround can be cleaned with warm soapy water and a cream cleaner. The sealed hotplates should be cleaned regularly (please refer to the care and cleaning section for more information).
Condensation on the wall at the rear of the cooker.	Steam and/or condensation may appear from the vent at the rear of the appliance when cooking food with high water content. This is normal and any excess should be wiped away.

# Safe cooker disposal

To help the environment, Local authority instructions should be followed for the disposal of your product.



This appliance/fitting is marked according to the European directive 2002/96/EC on Waste Electrical and Electronic Equipment (WEEE). By ensuring this product is disposed of correctly, you will help prevent potential negative consequences for the environment and human health, which could otherwise be caused by inappropriate waste handling of this product.

The symbol on the product, or on the documents accompanying the product, the Crossed Out Wheelie Bin symbol, indicates that this appliance/fitting may not be treated as household waste. Instead it shall be handed over to the applicable collection point for the recycling of electrical and electronic equipment. Disposal must be carried out in accordance with local environmental regulations for waste disposal. For more detailed information about treatment, recovery and recycling of this product, please contact your local authority, your household waste disposal service or the retailer where you purchased the product.

## Customer Helpline

For help and assistance regarding your oven telephone 0844 871 0011.

## Specification

Power supply:	230V~50Hz.
Gross weight (kg):	47.5
External dimensions (cm)	50 width; 50 depth; 90 height
Oven capacity (litres):	42
Total wattage (kW):	7.5
Energy rating:	A

---

**Customer Service, Unit B1, Senator Point, South Boundary Road,  
Knowsley, LIVERPOOL L33 7RS  
HELPLINE TEL: 0844 871 0011  
Monday to Friday (8.30am to 5pm)**

We continuously try to improve our products for the benefit of our customers.  
For this reason we reserve the right to make changes to any product at any time, without notice.  
Instructions ref CZ26990/080408 © 2008